



OIL/NG/LP FIRED SPACE HEATER: BLAZE 1000 D/G



REPORT # 367-G-04e-5



Installation Instructions-Manual-Maintenance-Parts List

CAUTION: DO NOT TAMPER WITH HEATER OR ITS CONTROLS. CALL A QUALIFIED SERVICE TECHNICIAN

Retain manual for future reference REV 1 05/06/13

CERTIFIED FOR USE IN CANADA AND THE U.S.A.

CAMPO EQUIPMENT CO. LTD. (ECOBLAZE)

6 Carson Court, Brampton, ON, CANADA, L6T 4P8

Tel: (905) 793-2525 | Fax: (905) 793-8768 | www.campoequipment.com

READ INSTRUCTIONS PRIOR TO STARTING HEATERS

THIS HEATER IS DESIGNED AND APPROVED FOR USE AS A CONSTRUCTION HEATER UNDER STANDARDS ANSI Z83.7b-2009/CSA2.14b-2009, UL 733-1993, and CSA/CAN B140.8-1967

THESE HEATERS ARE SUITABLE FOR OUTDOOR USE

THE REQUIREMENTS OF LOCAL AUTHORITIES HAVING JURISDICTION SHALL BE FOLLOWED

BLAZE 1000 G

NOTE: THIS HEATER IS INTENDED FOR USE PRIMARILY AS TEMPORARY HEATING OF BUILDINGS UNDER CONSTRUCTION, ALTERATION OR REPAIR

THIS UNIT IS APPROVED FOR USE WITH PROPANE OR NATURAL GAS. NEVER ATTEMPT TO BURN GARBAGE OR PAPER IN THE HEATER AND REMOVE ALL PAPER AND RAGS FROM AROUND THE HEATER. FOR YOUR SAFETY, DO NOT STORE OR USE GASOLINE OR OTHER FLAMMABLE LIQUIDS OR VAPOURS IN THE VICINITY OF THE HEATER.

DO NOT TAMPER WITH THE HEATER AND CONTROLS! THE HEATER MUST BE SERVICED BY QUALIFIED SERVICE PERSONNEL.

WARNING: THOSE WHO INSTALL THE HEATER MUST HAVE THE TRAINING AND EXPERIENCE NECESSARY TO DO SO. READ THIS MANUAL CAREFULLY. FAILURE TO PROPERLY INSTALL AND SETUP THE HEATER COULD RESULT IN PROPERTY DAMAGE, PERSONAL INJURY, OR LOSS OF LIFE. THE QUALIFIED SERVICE PERSONNEL PERFORMING THIS WORK ASSUMES A SERIOUS RESPONSIBILITY FOR THE CORRECT INSTALLATION, SETUP, AND START-UP OF THE HEATER.

GENERAL HAZARD WARNING: FAILURE TO COMPLY WITH THE PRECAUTIONS AND INSTRUCTIONS PROVIDED WITH THIS HEATER CAN RESULT IN DEATH, SERIOUS BODILY INJURY AND PROPERTY LOSS OR DAMAGE FROM HAZARDS OF FIRE, EXPLOSION, BURN, ASPHYXIATION, CARBON MONOXIDE POISONING, AND/OR ELECTRICAL SHOCK. ONLY PERSONS WHO CAN UNDERSTAND AND FOLLOW INSTRUCTIONS SHOULD USE OR SERVICE THIS HEATER. IF YOU NEED ASSISTANCE OR HEATER INFORMATION SUCH AS AN INSTRUCTIONS MANUAL, LABELS ETC. CONTACT THE MANUFACTURER.

WARNING: FIRE, BURN, INHALATION, AND EXPLOSION HAZARD. KEEP SOLID COMBUSTIBLES, SUCH AS BUILDING MATERIALS, PAPER OR CARDBOARD, A SAFE DISTANCE AWAY FROM THE HEATER AS RECOMMENDED BY THE INSTRUCTIONS. NEVER USE THE HEATER IN SPACES WHICH DO OR MAY CONTAIN VOLATILE OR AIRBORNE COMBUSTIBLES, OR PRODUCTS SUCH AS GASOLINE, SOLVENTS, PAINT THINNER, DUST PARTICLES OR UNKNOWN CHEMICALS.

WARNING: NOT FOR HOME OR RECREATIONAL VEHICLE USE

THIS HEATER IS DESIGNED AND APPROVED FOR USE AS A CONSTRUCTION HEATER IN ACCORDANCE WITH STANDARD ANSI Z83.7b-2009/CSA2.14b-2009. CHECK WITH YOUR LOCAL FIRE SAFETY AUTHORITY IF YOU HAVE QUESTIONS ABOUT APPLICATIONS.

WARNING: INTENDED USE IS PRIMARILY THE TEMPORARY HEATING OF BUILDINGS UNDER CONSTRUCTION, ALTERATION, REPAIR OR EMERGENCIES ONLY.

WARNING: ALWAYS PROVIDE ADEQUATE VENTILATION. MINIMUM ACCEPTABLE VENTILATION REQUIRED: 1 SQ. IN. OF FRESH AIR MUST BE SUPPLIED FOR EVERY 1000 BTU/H OF HEAT.

WARNING: THIS HEATER SHALL BE INSTALLED SUCH THAT IT IS NOT DIRECTLY EXPOSED TO WATER SPRAY, AND/OR DRIPPING WATER.

CHECK WITH YOUR LOCAL FIRE SAFETY AUTHORITY IF YOU HAVE QUESTIONS ABOUT APPLICATIONS

THESE INSTRUCTIONS HAVE BEEN THOROUGHLY WRITTEN, BUT THEY CANNOT COVER EVERY PECULIAR INSTALLATION AND CONTINGENCY. THEREFORE IF THERE IS ANY DOUBT AS TO INTERPRETATION OF ANY REQUIREMENTS, CONTACT YOUR LOCAL AUTHORITY HAVING JURISDICTION, YOUR LOCAL DISTRIBUTOR, OR THE FACTORY.

INSTALLATION REGULATIONS:

- 1.) THE INSTALLATION OF THE UNIT SHALL BE IN ACCORDANCE WITH THE REGULATIONS OF THE AUTHORITIES HAVING JURISDICTION.

WIRING: ALL INTERNAL WIRING OF THE HEATER IS COMPLETED BY THE MANUFACTURER. ALL EXTERNAL WIRING MUST CONFORM TO EXISTING ELECTRICAL CODES AS LAID DOWN BY THE AUTHORITIES HAVING JURISDICTION.

THE INSTALLATION OF THIS HEATER FOR USE WITH NATURAL GAS SHALL CONFORM WITH LOCAL CODES OR, IN THE ABSENCE OF CODES, WITH THE NATIONAL FUEL GAS CODE ANSI Z223.1/NFPA 54 AND THE NATURAL GAS AND PROPANE INSTALLATION CODE, CSA B149.1-00. THIS HEATER MUST BE INSTALLED BY A QUALIFIED GAS TECHNICIAN, FOLLOWING LOCAL CODES PUBLISHED BY THE AUTHORITY HAVING JURISDICTION. ALL INSTALLATIONS PERFORMED IN THE STATE OF MASSACHUSETTS MUST BE COMPLETED BY A QUALIFIED PLUMBER AND GAS FITTER OF THE STATE OF MASSACHUSETTS.

THE INSTALLATION OF THIS HEATER FOR USE WITH A PROPANE TANK OR CYLINDER SHALL CONFORM WITH LOCAL CODES OR IN THE ABSENCE OF LOCAL CODES, WITH THE STANDARD FOR THE STORAGE AND HANDLING OF LIQUEFIED PETROLEUM GASES, ANSI/NFPA 58 AND THE NATURAL GAS AND PROPANE INSTALLATION CODE, CSA B149.1

THIS HEATER MUST BE LOCATED AT LEAST 10FT (3M) FROM ANY PROPANE GAS CYLINDER. THIS HEATER SHALL NOT BE DIRECTED TOWARD ANY PROPANE GAS CONTAINER WITHIN 20FT (6M).

OTHER STANDARDS GOVERN THE USE OF FUEL GASES AND HEAT PRODUCING PRODUCTS IN SPECIFIC APPLICATIONS. YOUR LOCAL AUTHORITY CAN ADVISE YOU ABOUT THESE.

READ INSTRUCTIONS PRIOR TO STARTING HEATERS

BLAZE 1000 D

THIS UNIT IS APPROVED FOR USE WITH NO. 1 AND NO. 2 FUEL OIL . NEVER USE GASOLINE OR CRANKCASE OIL WHICH MAY CONTAIN GASOLINE AS FUEL FOR THE HEATER. NEVER ATTEMPT TO BURN GARBAGE OR PAPER IN THE HEATER AND REMOVE ALL PAPER AND RAGS FROM AROUND THE HEATER. FOR YOUR SAFETY, DO NOT STORE OR USE GASOLINE OR OTHER FLAMMABLE LIQUIDS OR VAPOURS IN THE VICINITY OF THE HEATER.

FOR YOUR SAFETY DO NOT ATTEMPT TO START THE HEATER IF:

- 1.) EXCESS OIL HAS ACCUMULATED
- 2.) THE HEATER IS FULL OF VAPOUR
- 3.) THE COMBUSTION CHAMBER IS EXTREMELY HOT

DO NOT TAMPER WITH THE HEATER AND CONTROLS! THE HEATER MUST BE SERVICED BY QUALIFIED SERVICE PERSONNEL.

WARNING: THOSE WHO INSTALL THE HEATER MUST HAVE THE TRAINING AND EXPERIENCE NECESSARY TO DO SO. READ THIS MANUAL CAREFULLY. FAILURE TO PROPERLY INSTALL AND SETUP THE HEATER COULD RESULT IN PROPERTY DAMAGE, PERSONAL INJURY, OR LOSS OF LIFE. THE QUALIFIED SERVICE PERSONNEL PERFORMING THIS WORK ASSUMES A SERIOUS RESPONSIBILITY FOR THE CORRECT INSTALLATION, SETUP, AND START-UP OF THE HEATER.

THESE INSTRUCTIONS HAVE BEEN THOROUGHLY WRITTEN, BUT THEY CANNOT COVER EVERY PECULIAR INSTALLATION AND CONTINGENCY. THEREFORE IF THERE IS ANY DOUBT AS TO INTERPRETATION OF ANY REQUIREMENTS, CONTACT YOUR LOCAL AUTHORITY HAVING JURISDICTION, YOUR LOCAL DISTRIBUTOR, OR THE FACTORY.

IMPORTANT: IF YOU OBSERVE THE PRIMARY CONTROL IS LOCKED OUT, PUSH THE RED RESET BUTTON ONLY ONCE. IF THE BURNER DOES NOT RE-LIGHT, DO NOT PUSH THE BUTTON A SECOND TIME OR EXCESS OIL WILL ACCUMULATE IN THE COMBUSTION CHAMBER—CALL A QUALIFIED SERVICE PERSON.

INSTALLATION REGULATIONS:

- 1.) INSTALLATION SHOULD BE IN ACCORDANCE WITH ALL LOCAL AND NATIONAL REGULATIONS.
- 2.) IN CANADA USE THE CSA B139 INSTALLATION CODE FOR OIL BURNING EQUIPMENT.

WIRING: ALL INTERNAL WIRING OF THE HEATER IS COMPLETED BY THE MANUFACTURER. ALL EXTERNAL WIRING MUST CONFORM TO EXISTING ELECTRICAL CODES AS LAID DOWN BY THE AUTHORITIES HAVING JURISDICTION. IN CANADA, REFER TO CSA C22.1 CANADIAN ELECTRICAL CODE AND IN THE UNITED STATES AS OUTLINED IN THE BOCA CODE, OR THE NFPA 70 NATIONAL ELECTRICAL CODE.

WARNING: LACK OF COMBUSTION AIR CAN CAUSE A DIRTY FIRE, ODOURS IN ENCLOSED SPACES, AND BACKDRAFTING, POTENTIALLY RESULTING IN NAUSEA OR ASPHYXIATION OF THE OCCUPANTS.

BLAZE 1000 D/G SPECIFICATIONS	BLAZE 1000G-BECKETT (NG/LP)	BLAZE 1000D-BECKETT (OIL)
Burner Make & Model	Beckett CG10A	Beckett CF800
Voltage	208V/240V	208V/240V
Input (BTU/h)	1,000,000	1,000,000
Heated Air CFM/AMPS for Fan speeds:	3-	3-
3-CFM/1PH Amps/3PH Amps	13,500/42A/25A	13,500/42A/25A
2-CFM/1PH Amps/3PH Amps	2- 11,000/31A/16.5A	2- 11,000/31A/16.5A
1-CFM/1PH Amps/3PH Amps	1- 9,000/21.5A/11A	1- 9,000/21.5A/11A
MOTOR HP	10	10
Ductability	400ft/Inlet Max of 200ft	400ft/Inlet Max of 200ft
Outlet Duct Size	24" or (4) X 12"	24" or (4) X 12"
Inlet Duct Size	24"	24"
NG Set up (All heaters come factory set for propane use.)	Easy switch over Blue handle Ball Valve on Gas manifold. Closed position: Propane Open position: Natural Gas	N/A
Manifold pressure "W.C.	3.8 NG/5 LP (Pressure to be set before NG/LP switchover valve and after adjusting valve on manifold) NOTE: If pressure reading taken after NG/LP switchover valve then pressure is to be 2.2"	N/A
Minimum/Maximum Supply Pressure "W.C.	8/12	N/A

CAMPO EQUIPMENT CO. LTD. (ECOBLAZE)

6 Carson Court, Brampton, ON, CANADA, L6T 4P8

Tel: (905) 793-2525 | Fax: (905) 793-8768 | www.campoequipment.com

Nozzle	N/A	5.5 GPH X 60 B
Pump Pressure	N/A	160 PSI
GPH	N/A	7.6 GPH
Fuel	NG or LP	No. 1 or No. 2 / Kerosene or Furnace Oil
Head Setting	10.6	5
Air Setting (Beckett-Shutter/Band) (Riello Air Gate)	10/5	10/3
APPROVAL AGENCY	OMNI	OMNI
DRY WEIGHT (lbs)	2000	2000
Dimensions	111" X 33.25" X 50"	111" X 33.25" X 50"
FLUE SIZE	8"	8"
Certification File #		

CONNECTING THE CYLINDER

IF CYLINDERS ARE USED TO SUPPLY THE HEATER, NO CYLINDERS SMALLER THAN 100 LB CAPACITY SHALL BE USED. THESE CYLINDERS MUST SUPPLY A VAPOUR WITHDRAWAL ONLY.

- 1.) ALL CYLINDER CONNECTIONS MUST BE MADE USING A WRENCH TO TIGHTEN THE POL FITTING.
- 2.) BE SURE THAT THE CYLINDER VALVE IS IN THE CLOSED POSITION WHEN CONNECTING OR DISCONNECTING THE CYLINDER.
- 3.) PROPER PROCEDURE FOR GAS LEAK TESTING: A SOAP AND WATER SOLUTION MUST BE APPLIED TO ALL CONNECTIONS IN ORDER TO LEAK CHECK THE SYSTEM.
- 4.) THE HOSE ASSEMBLY MUST BE VISUALLY INSPECTED PRIOR TO EACH USE OF THE HEATER.

THE GAS MUST BE TURNED OFF AT THE PROPANE SUPPLY CYLINDER(S) WHEN THE HEATER IS NOT IN USE. WHEN THE HEATER IS TO BE STORED INDOORS, THE

CONNECTION BETWEEN THE PROPANE SUPPLY CYLINDER(S) AND THE HEATER MUST BE DISCONNECTED AND THE CYLINDERS REMOVED FROM THE HEATER AND STORED IN ACCORDANCE WITH STANDARDS FOR THE STORAGE AND HANDLING OF LIQUIFIED PETROLEUM GASES, ANSI/NFPA 58 AND CSA B149.1, NATURAL GAS AND PROPANE INSTALLATION CODE.

PIPING: THIS HEATER MUST BE INSTALLED BY A QUALIFIED GAS TECHNICIAN FOLLOWING LOCAL CODES PUBLISHED BY THE AUTHORITY HAVING JURISDICTION. SIZING OF SUPPLY PIPING MUST BE DETERMINED USING THE LENGTH OF PIPE RUN AS WELL AS TOTAL BTUH RATING OF THE APPLIANCE(S). APPROPRIATE PIPING TABLES MUST BE USED TO DETERMINE SIZE OF SUPPLY PIPING DEPENDANT ON THE LENGTH OF RUN FROM SOURCE.

CONNECTING TO AN EXTERNAL FUEL TANK (BLAZE 1000 D)

Beckett CF800 is fitted with 3/8" SAE male fittings and is set up for a 2 line system to eliminate priming. Ensure fuel tank has an supply line and a return line and connect the supply line to the 3/8" SAE fitting on the inlet side of the fuel filter and the return line to the return fitting located on the Beckett Burner pump. For a 1 line system remove bypass plug located on inlet port of Beckett Pump and just connect fuel line to inlet side of fuel filter.

FUEL (BLAZE 1000 G)

THIS HEATER WILL OPERATE ON PROPANE **OR** NATURAL GAS—**NOT BOTH**. THE MANIFOLD PRESSURES ARE LISTED ON THE APPROVAL LABEL. TO DETERMINE WHICH FUEL TO USE SEE RATING PLATE. **DO NOT** ATTEMPT TO USE THE HEATER WITHOUT CONSULTING THE RATING PLATE.

NOTE: THE PROPER POSITION ON THE EASY SWITCH OVER BLUE HANDLE BALL VALVE MUST BE USED AND RATING PLATE MUST REFLECT THE FUEL THE HEATER IS BURNING. **DO NOT** OPERATE THE HEATER WITHOUT CONSULTING THE RATING PLATE.

HEATER CONVERSION MUST BE DONE BY A QUALIFIED TECHNICIAN AND RATING PLATE MUST REFLECT ANY CHANGE.

THIS UNIT HEATER IS EQUIPPED FOR NATURAL GAS OR LP GAS. THIS UNIT HEATER IS EQUIPPED WITH ORIFICES SIZED FOR OPERATION WITH NATURAL OR LP GAS VIA THE EASY SWITCH OVER BLUE HANDLE BALL VALVE. FOR CONVERSION TO LP (OR NATURAL) GAS SEE INSTRUCTION PLATE ON THE APPLIANCE.

Easy switch over Blue handle Ball Valve on Gas manifold.

Closed position: Propane
Open position: Natural Gas

HOSES

ALL HOSES USED TO CONNECT THIS HEATER TO FUEL SUPPLY MUST BE TYPE 1 APPROVED PROPANE/NATURAL GAS HOSE ASSEMBLIES.

ELECTRICAL

WARNING: ELECTRICAL GROUNDING INSTRUCTIONS

THIS APPLIANCE IS ABLE IS TO RECEIVE 1 PHASE OR 3 PHASE POWER.

208V-240V SUPPLY MUST BE AVAILABLE.

INSTALLATION

Power Supply

Single phase operation use L1 (RED) and L2 (BLACK) plus green for ground.

Three phase operation use L1 (RED), L2 (BLACK) and L3 (WHITE) plus green for ground.

BLAZE 1000 D/G

Power Cords for Single Phase

upto 100' 3 # 6

upto 200' 3 # 4

upto 300' 3 # 3

BLAZE 1000 D/G

Power Cords for Three Phase

upto 100' 4 # 8

upto 200' 4 # 6

upto 300' 4 # 4

NOTE: IF ANY OF THE ORIGINAL WIRE AS SUPPLIED WITH THE APPLIANCE MUST BE REPLACED, IT MUST BE REPLACED WITH TYPE TEW 14GA WIRE OR ITS EQUIVALENT.

ELECTRICAL SYSTEM	BLAZE 1000 D/G
Volts-Hertz-Phase	220-60-1 or 3
Full Load (Amps) (1PH OR 3PH)	42 or 25

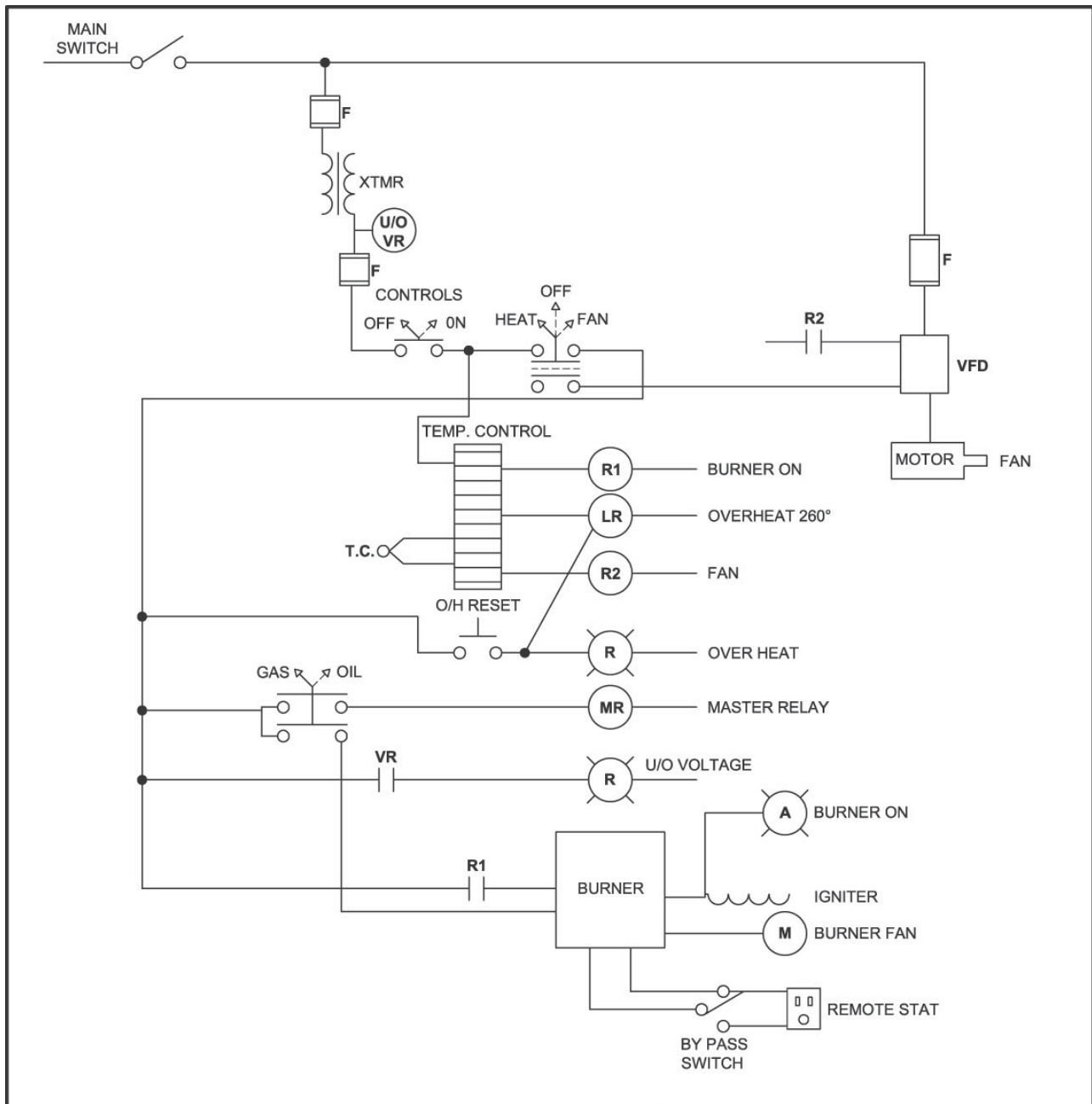
CAMPO EQUIPMENT CO. LTD. (ECOBLAZE)

6 Carson Court, Brampton, ON, CANADA, L6T 4P8

Tel: (905) 793-2525 | Fax: (905) 793-8768 | www.campoequipment.com

Max fuse size (Amps) (1PH OR 3PH) with time delay	45 or 30
--	----------

The electrical grounding of the heater shall be in compliance with the National Electrical Code, ANSI/NFPA 70, or the CSA C22.1, Canadian Electrical Code, Part I



NOTE:
 1, THESE DRAWINGS CONTAIN INFORMATION THAT IS PROPRIETARY AND CONFIDENTIAL AND MY NOT BE USED OR DISSEMINATED EXCEPT AS MAY BE AUTHORIZED BY CAMPO EQUIPMENT.

CAMPO EQUIPMENT

Drawing BLAZE 800/1000 D/G SINGLE LINE DIAGRAM
 Title:

Drawn By: N. HAROON	dd/mm/yy 20/10/10	Dwg #:	
Checked By:	Scale: NTS	Sht. 1 Of 1	Rev: 0

SEQUENCE OF OPERATION FOR BLAZE 1000 D/G

With “Main Switch” in “ON” position and “Controls” in “ON” position and selector on “HEAT” operation and selector switch in “STAT ON” position and heat stat plugged into receptacle:

- 1: Heat stat senses a drop in temperature and the ignition control module is energized.
- 2: The module performs a safe start check and the burner and spark generator start. Burner lights, ignition stops, and flame current is sensed.

For oil: the Genisys primary control contacts close, the burner motor and ignitor are energized after a 45 second delay. The primary control energizes the pump solenoid valve and flame is established. The cad cell senses flame and the burner continues to fire.

- 3: Temperature controller thermocouple heats up to factory set point (95F) and circulating air blower starts.
- 4: When the heat stat senses space temperature at set point, the burner shuts down.
- 5: The circulating blower continues to operate until the air in the unit cools to the factory set point (80F) then turns off.

With selector switch in “BYPASS” position:

- 1: The module performs a safe start check and the burner and spark generator start.
- 2: Burner lights, ignition stops, and flame current is sensed.
- 3: Temperature controller thermocouple heats up to factory set point (95F) and circulating air blower starts.
- 4: When the heat/fan selector switch is placed to the off position the burner shuts down.
- 5: The circulating blower continues to operate until the air in the unit cools to the factory set point (80F) then turns off.



OPERATING INSTRUCTIONS FOR BLAZE 1000 D/G

STARTING HEATER

- 1.) ENSURE HEATER IS ON FLAT, LEVEL GROUND BEFORE STARTING, CANOPY AND FAN GUARDS MUST BE CLOSED.
- 2.) MAKE SURE "MAIN SWITCH" IS IN "OFF" POSITION.
- 3.) WIRE IN SUPPLY CORD TO 208V-240V SUPPLY WITH GROUND.

Power Supply Installation

Single phase operation use L1 (RED) and L2 (BLACK) plus green for ground.

Three phase operation use L1 (RED), L2 (BLACK) and L3 (WHITE) plus green for ground.

- 4.) SELECT "GAS" OR "OIL".
- 5.) TURN "MAIN SWITCH" TO "ON" POSITION.
- 6.) TURN "CONTROLS" SWITCH TO "ON" POSITION.
- 7.) FOR THERMOSTAT OPERATION FLIP SELECTOR SWITCH TO "STAT ON" POSITION. IF YOU ARE NOT USING A THERMOSTAT FLIP SELECTOR SWITCH TO "BYPASS" POSITION.
- 8.) TURN "HEAT/FAN" SWITCH TO "HEAT POSITION".

Please Note: When using a generator for electrical supply, make sure the generator is properly grounded and is running at a 60HZ frequency. In the event that a generator is being used and the generator runs out of fuel, make sure the heater "MAIN SWITCH" is in the "OFF" position before restarting generator, failure to do so may damage heater.

STOPPING HEATER

- 1.) Close main gas supply valve while heater is operating or if operating heater with oil skip to # 2.)
- 2.) Flip "HEAT/FAN" selector switch to "OFF" position. The supply fan will continue to operate until the heat exchanger has sufficiently cooled. Do not disconnect main power until supply fan has stopped running and "MAIN SWITCH" is on "OFF" position.
- 3.) Disconnect heater from gas supply OR disconnect fuel oil lines.

WARNING BEFORE REMOVING ANY GUARDS OR SAFETIES TURN "MAIN SWITCH" TO "OFF" POSITION AND DISCONNECT THE MAIN POWER AS THE SUPPLY FAN WILL CYCLE AUTOMATICALLY.

IF HEATER FAILS TO START

- 1.) PRESS BURNER RESET BUTTON TO RESET CONTROL ON BECKETT CG10A. FOR OIL OPERATION PRESS AND HOLD THE RED BUTTON ON THE BECKETT GENISYS CONTROLLER LOCATED ON THE CONTROL PANEL FOR 3 SECONDS TO RESET.
- 1.) FOR GAS OPERATION CHECK GAS PRESSURE SUPPLY. SUPPLY AND MANIFOLD PRESSURE MUST FOLLOW THOSE ON RATING PLATE. FOR OIL OPERATION CHECK FUEL LEVEL, FILTER, NOZZLE AND SUCTION TUBING.
- 2.) ENSURE PROPER POWER SUPPLY AND WIRE GAUGE IS BEING USED.
- 3.) IF HEATER FAILS TO IGNITE AFTER 3 ATTEMPTS, CALL YOUR SUPPLIER FOR SERVICE.

NOTE: IF UNIT HAS BEEN RESET A NUMBER OF TIMES WITHOUT IGNITION -- DO NOT ATTEMPT TO START THE HEATER: CONTACT A QUALIFIED SERVICE TECHNICIAN.

NOTE: IN OIL OPERATION IF UNIT HAS BEEN RESET A NUMBER OF TIMES WITHOUT IGNITION THERE WILL BE AN ACCUMULATION OF OIL IN THE COMBUSTION CHAMBER! DO NOT ATTEMPT TO START THE HEATER: CONTACT A QUALIFIED SERVICE TECHNICIAN.

CAUTION

CAMPO EQUIPMENT CO. LTD. (ECOBLAZE)
6 Carson Court, Brampton, ON, CANADA, L6T 4P8
Tel: (905) 793-2525 | Fax: (905) 793-8768 | www.campoequipment.com

- 1.) DO NOT SHUT OFF BY DISCONNECTING SUPPLY CORD. THE HEAT EXCHANGER SHOULD BE PROPERLY COOLED BEFORE POWER SHUTDOWN.
- 2.) ALWAYS MAINTAIN ADEQUATE FUEL SUPPLY.
- 3.) IF GAS BURNER IS INSTALLED HEATER IS FOR USE WITH PROPANE OR NATURAL GAS ONLY. SEE APPROVAL LABEL.
- 4.) DO NOT PLUG ANYTHING OTHER THAN THE THERMOSTAT INTO THE “REMOTE STAT” PLUG.
- 5.) FOLLOW ELECTRICAL REQUIREMENTS SHOWN ON RATING PLATE AND/OR ELECTRICAL REQUIREMENTS SECTION OF THIS MANUAL.
- 6.) IN OIL OPERATION DO NOT START THE HEATER WHEN EXCESS OIL HAS ACCUMULATED IN CHAMBER.
- 7.) IN OIL OPERATION DO NOT FILL TANK WHILE UNIT IS OPERATING.
- 8.) IN NO CASE SHOULD POWER CABLES BE SMALLER THAN WHAT IS STIPULATED ON NAMEPLATE AND INSTRUCTION MANUAL.
- 9.) IN OIL OPERATION DO NOT USE GASOLINE, CRANKCASE OIL OR HEAVIER THAN NO. 2 FURNACE OIL.
- 10.) DO NOT START THE HEATER WHEN THE CHAMBER IS HOT
- 11.) DO NOT FILL THE TANK WHILE THE UNIT IS OPERATING
- 12.) DO NOT TAMPER WITH THE UNIT. HAVE A COMPETENT SERVICE-MAN MAKE ANY ADJUSTMENTS
- 13.) MAX OUTLET TEMPERATURE (U.S./CA) 250F/290F
- 14.) AT INSTALLATION ELEVATIONS ABOVE 2000 FT (610m), THE APPLIANCE SHALL BE DERATED 4 PERCENT FOR EACH 1000 FT (305m) OF ELEVATION ABOVE SEE LEVEL
- 15.) SHOULD OVERHEATING OCCUR, OR THE GAS SUPPLY CONTROL SYSTEM FAIL TO SHUT OFF THE FLOW OF GAS, SHUT OFF THE MANUAL GAS VALVE TO THE UTILITY HEATER BEFORE SHUTTING OFF THE ELECTRICAL SUPPLY.
- 16.) DO NOT USE THIS UTILITY HEATER IF ANY PART HAS BEEN UNDER WATER. IMMEDIATELY CALL A QUALIFIED SERVICE TECHNICIAN TO INSPECT THE HEATER AND REPLACE ANY GAS CONTROL WHICH HAS BEEN UNDER WATER.

ELECTRICAL REQUIREMENTS: 45 AMPS

INSTALLATION INSTRUCTIONS

- 1.) The recommendations of local authorities having jurisdiction must be followed. For recommended installation practices refer to C.S.A. standard B139. (CANADA)
- 2.) When firing the unit in an enclosed area allow 1 square inch per thousand BTU's (refer to C.S.A. B139) to allow the free entry of the air required for operation.
- 3.) For electrical supply: 208V-240V SUPPLY WITH GROUND.
Power Supply Installation
Single phase operation use L1 (RED) and L2 (BLACK) plus green for ground.
Three phase operation use L1 (RED), L2 (BLACK) and L3 (WHITE) plus green for ground.
- 4.) Do not operate the unit in partly ventilated areas without a flue pipe or in close proximity to combustible surfaces or materials.

NOTE: Installation clearances are as follows:

TOP	2 inches
SIDES	6 inches
BURNER END	2 feet
DISCHARGE END	10 feet

CAMPO EQUIPMENT CO. LTD. (ECOBLAZE)

6 Carson Court, Brampton, ON, CANADA, L6T 4P8

Tel: (905) 793-2525 | Fax: (905) 793-8768 | www.campoequipment.com

VENT CONNECTOR	18 inches
COMBUSTIBLE FLOOR	6 feet

FLUE PIPE CONNECTIONS

VENT TO OUTDOORS

FOR INSTALLATION ON NON-COMBUSTIBLE FLOORS ONLY

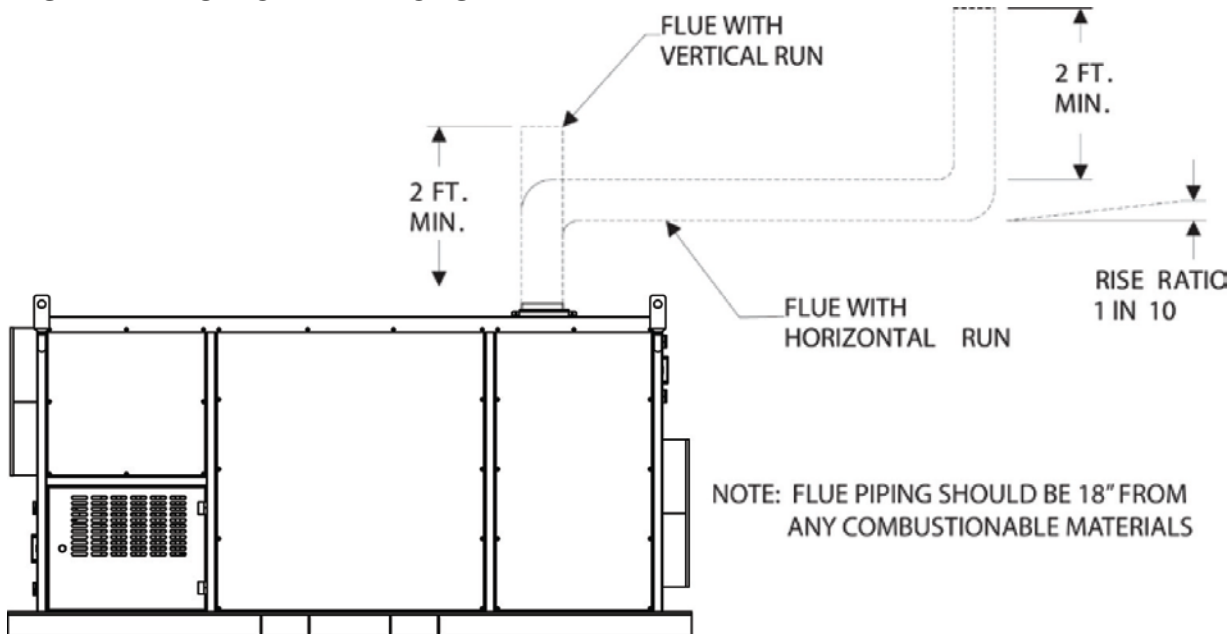
When the heater is connected to a flue pipe the flue pipe shall terminate in a vertical section at least two feet long. Horizontal runs should have rise ratio of 1 in 10 away from the heater. Where down drafts are liable to occur a vent cap should be used. All venting should correspond with the CSA B139 standard or local codes.

CAUTION: HEATER FLUE TEMPERATURES CAN REACH 400F TO 500F THEREFORE IT IS A RANGE THAT IS BOTH HAZARDOUS TO HUMANS AND HIGHER THAN THE AUTO-IGNITION TEMPERATURES OF MANY MATERIALS. THEREFORE EXERCISE CAUTION IN HEATER PLACEMENT AND THE USE OF AN INSULATED GUARD AND STACK IS HIGHLY RECOMMENDED.

Horizontal venting runs shall always terminate with a minimum 24" vertical.

NOTE: FOR OPTIMAL COMBUSTION PERFORMANCE A 30" C-VENT FLUE EXTENSION WITH RAIN CAP IS RECOMMENDED AT ALL TIMES.

INSTALLATION CLEARANCES



MAXIMUM ALLOWABLE DUCT LENGTHS BLAZE 1000 D/G - 400ft/Inlet Max of 200ft
INLET DUCTS 24" on each inlet

CAMPO EQUIPMENT CO. LTD. (ECOBLAZE)
 6 Carson Court, Brampton, ON, CANADA, L6T 4P8
 Tel: (905) 793-2525 | Fax: (905) 793-8768 | www.campoequipment.com

**THIS HEATER IS FOR USE WITH AND WITHOUT DUCTWORK
WHEN USING DUCTWORK AVOID ANY KINKS OR SHARP BENDS.
INSUFFICIENT INLET AIR OR INSUFFICIENT DISCHARGE AIR WILL CAUSE
THE HEATER TO OVERHEAT.**

BLAZE 1000 D/G MAINTENANCE INSTRUCTIONS

**WARNING EVERY CONSTRUCTION HEATER SHOULD BE INSPECTED
BEFORE EACH USE, AND AT LEAST ANNUALLY BY A QUALIFIED SERVICE
PERSON. INCORRECT MAINTENANCE MAY RESULT IN IMPROPER
OPERATION OF THE HEATER AND SERIOUS INJURY COULD OCCUR.**

HOSE ASSEMBLIES

The hose assemblies shall be visually inspected prior to each use of the heater. If it is evident there is excessive abrasion or wear, or the hose is cut, it must be replaced prior to the heater being put into operation. The replacement hose assembly shall be that specified by the manufacturer.

TEMPERATURE CONTROLLER AND THERMOCOUPLE

The temperature controller protocols should be checked every heating season to ensure the burner will shutdown if temperature exceeds 250 F (US)/290 F (CA) at the outlet duct. This can be accomplished by restricting the air flow through the unit. After tests are complete, remove restrictors as both inlet and outlet ducts must be open for proper operation.

The temperature controller setting of 95F has been selected to allow for preheating of the heat exchanger to ensure that only heated air is allowed to enter the space. Upon satisfying the need for heat, the temperature controller will continue to run the supply fan until the heat exchanger has cooled sufficiently. This feature will help prolong the life of the heat exchanger. The temperature controller must be replaced if the fan motor does not shut off after the heat exchanger has cooled down.

Temperature Controller Protocols

Fan Turns on at 95 F

Out # 2 is set at 190° (This will cycle the burner off 190° and back on at 160°.) If the burner reset light goes on; you need to go into the burner compartment in the door under the air supply. For the Riello G900 there is a hole near the top of the red panel box, you need to depress the button inside to reset burner. For the Beckett CG10A the Honeywell controller must be reset by pressing the reset button. For the Beckett CF800 oil burner the Beckett Genisys controller located on the control panel must be pressed.

Out # 3 is set at 260° (This will cause burner to go out on high temp.)

If this occurs you will have to reset the temperature controller, by holding down the "OVER HEAT RESET" push button.

During cool down the unit cools to 80F and then shuts down.

CAMPO EQUIPMENT CO. LTD. (ECOBLAZE)

6 Carson Court, Brampton, ON, CANADA, L6T 4P8

Tel: (905) 793-2525 | Fax: (905) 793-8768 | www.campoequipment.com

ELECTRICAL

Ensure all conduit (BX) connectors are tight. Open control panel door and burner compartment and check connections are tight and no frayed wires exposed.

FAN

Check for dust or dirt build up on blades. Run heater to check for fan vibration. Replace fan blade if vibration is noticeable. The flow of combustion and ventilation air must not be obstructed. Be sure to check the fan assembly and ensure that the motor and blade are operating properly.

MOTOR

No lubrication is necessary since the bearings are the sealed type. Clean motor of existing dust or dirt.

GAS TRAIN (annual basis)

Connect gas supply to gas train with gas safety shut-off valves closed. Spray all of gas train components including safety shut-off valves with soap and water solution to check for leaks. Open safety shut off valves on gas train and spray with soap and water solution to check for leaks.

HEAT EXCHANGER

If a smoky condition continues even after adjusting the air assembly, the heat exchanger should be thoroughly cleaned.

FUEL FILTER (OIL OPERATION)

Replace cartridge every six months of normal usage.

NOTE: FLOW OF COMBUSTION AND VENTILATION AIR CANNOT BE OBSTRUCTED

FLAME DETECTOR (OIL OPERATION)

When doing maintenance, turn on machine and run. After having machine run for a few minutes, press red button on primary control. Hold for one second and then release. If light flashes once or twice or three times, cad cell is functioning properly. If flashes four times, check alignment and proper flame. If correct a cleaning of the face of the cad cell with a soft non-abrasive cloth is recommended. If light flashes 4 times, follow above steps. If flashing four times persists, replace cad cell.

LED FLASHES	CAD CELL RESISTANCE
1	0-400 Ohms
2	400-800 Ohms
3	800-1600 Ohms
4	>=1600 Ohms

BURNER (OIL OPERATION)

The electrode spacing must be checked and adjusted, if necessary after every nozzle change. Nozzle should be replaced annually or sooner if burner cannot be set up to operate properly. Nozzle size and type are marked on the rating plate.

AFTER INSPECTION, A COMPLETE COMBUSTION TEST MUST BE PERFORMED AFTER EACH ANNUAL SERVICE OF THE UNIT TO MAINTAIN OPTIMUM PERFORMANCE AND RELIABILITY.

CAMPO EQUIPMENT CO. LTD. (ECOBLAZE)

6 Carson Court, Brampton, ON, CANADA, L6T 4P8

Tel: (905) 793-2525 | Fax: (905) 793-8768 | www.campoequipment.com

WARNING: TURN OFF THE FUEL SUPPLIES AND POWER BEFORE PERFORMING SERVICE WORK. THE 208V/240V CIRCUIT IS A POTENTIAL ELECTROCUTION HAZARD.

THE HEAT EXCHANGER CAN NOW BE CLEANED ENTIRELY FROM THE CLEAN-OUT PORTS AND THE FLUE PIPE CONNECTION.

HEAT EXCHANGER CLEANING PROCEDURE

- 1.) REMOVE HEATER BOX PANELS
- 2.) REMOVE EASY ACCESS PANELS LOCATED ON HEAT EXCHANGER
- 3.) REMOVE BAFFLES FROM SECONDARIES AND CLEAN
- 4.) SHOVE FLEXIBLE BRUSH VIA ACCESS PANELS AND CLEAN THOROUGHLY
- 5.) SHOVE FLEXIBLE VACUUM VIA ACCESS PANELS AND VACUUM THOROUGHLY

HEAT EXCHANGER REASSEMBLY AFTER CLEANUP

- 1.) CLOSE EASY ACCESS PANELS ON HEAT EXCHANGER
- 2.) CLOSE HEATER BOX PANELS

COMBUSTION AIR ADJUSTMENTS

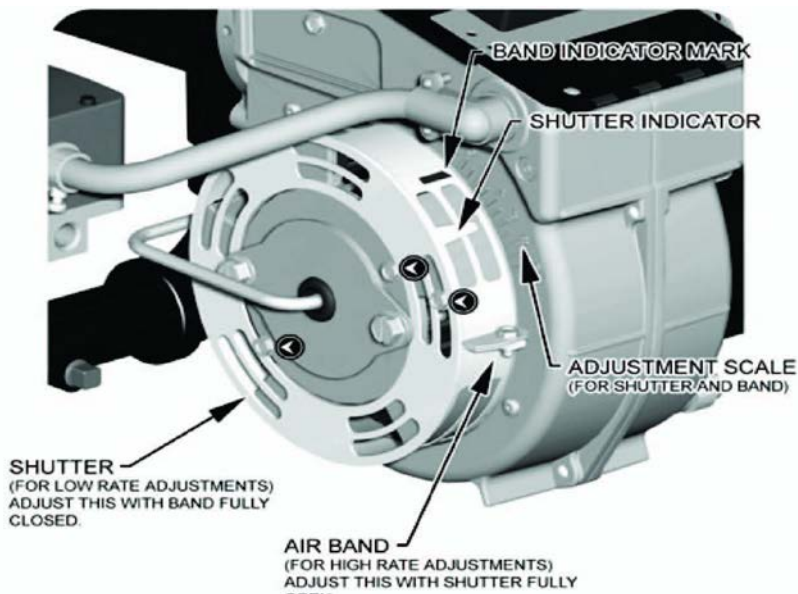
BLAZE 1000 D/G SPECIFICATIONS	BLAZE 1000G-BECKETT (NG/LP)	BLAZE 1000D-BECKETT (OIL)
NG Set up (All heaters come factory set for propane use)	Easy switch over Blue handle Ball Valve on Gas manifold. Closed position: Propane Open position: Natural Gas	N/A
Manifold pressure "W.C.	3.8 NG/5 LP (Pressure to be set before NG/LP switchover valve and after adjusting valve on manifold) NOTE: If pressure reading taken after NG/LP switchover valve then pressure is to be 2.2"	N/A
Minimum/Maximum Supply Pressure "W.C.	8/12	N/A

Nozzle	N/A	5.5 GPH X 60 B
Pump Pressure	N/A	160 PSI
Head Setting	10.6	5
Air Setting (Beckett-Shutter/Band) (Riello Air Gate)	10/5	10/3

NOTE: The above settings are approximations based upon clean equipment in proper working order. Combustion air adjustments will vary with location, altitude and type of fuel used.

BECKETT CG10A

- 1.) Loosen shutter and band and move to desired settings.
- 2.) Once desired settings are attained lock in place by tightening back shutter and band screws.

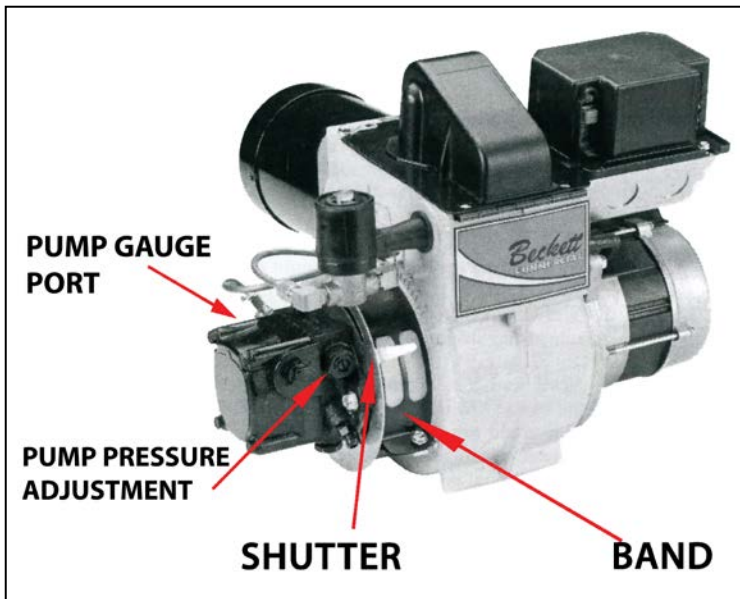


WARNING: LACK OF COMBUSTION AIR CAN CAUSE A DIRTY FIRE, ODOURS IN ENCLOSED SPACES, AND BACKDRAFTING, POTENTIALLY RESULTING IN NAUSEA OR ASPHYXIATION OF THE OCCUPANTS.

ALL AIR ADJUSTMENTS MUST BE DONE BY A QUALIFIED SERVICE TECHNICIAN

BECKETT CF800

COMBUSTION AIR ADJUSTMENTS



For proper combustion air adjustment a calibrated gas analyzer and smoke tester should be used to ensure complete combustion. Air adjustment should be made at the correct input and be adjusted to achieve 5% Oxygen and 12% CO₂. For optimum combustion efficiency the combustion air control should be set to provide no more than No. 1 smoke (Bacharach Scale). The Beckett burner has a calibrated air band, which will assist in adjusting the primary air for a good oil/air mixture. Adjust the air band supply by loosening lock screws and moving air shutter and if necessary the bulk air band. Begin by reducing the air until the unit begins to produce smoke. Increase air until no smoke is produced. Check for excessive heat build up in the heat exchanger. Insufficient air will cause flame impingement and reduced heat exchanger life. Increase air until heat build up has been eliminated. Check for proper ignition. Once satisfied re-tighten all screws and locking mechanisms.

This adjustment is to be carried out while the unit is operating and after 5 minutes of firing. Rotating the air bands on the burner housing makes the adjustment.

SETTING GAS FIRING RATES

- 1.) Choose BTU required and fuel supplied. For example 1,000,000 BTU and Natural Gas with the Beckett CG10A.
- 2.) Adjust the manifold pressure to the recommended setting (3.8).
- 3.) Check nameplate for recommended air setting. A 10/5 air setting is recommended.
- 4.) Measure the carbon monoxide level and adjust air settings, if necessary, to regulate it to about 50 PPM for a starting point.
- 5.) Measure the O₂ or CO₂ at the 50 PPM level. For example, assume the O₂ is 1.5% (11% CO₂).
- 6.) Open the air adjustment until the O₂ level is increased to 3% O₂. This should reduce the CO level and provide a margin of reserve air to accommodate variable conditions.
- 7.) Sample the CO level again. It should be in the 0 to 50 PPM range—50 according to settings.
- 8.) Check the draft to ensure it still meets specifications. If a major change in draft is required, repeat the above steps.
- 9.) Perform any final adjustments and lock the air settings securely. Run the burner through several cycles to verify prompt ignition and stable burner operation.

SETTING OIL FIRING RATES

- 1.) Choose BTU required. For example 1,000,000 BTU..
- 2.) Check name plate for recommended pump pressure. 160 psi is recommended.
- 3.) Check nameplate for recommended air setting. A 10/3 air setting is recommended.
- 4.) Install a pressure gauge in pump gauge port and start the burner. Operate for 5 minutes until blower fan starts.
- 5.) Adjust pump pressure to 160 PSI.
- 6.) Adjust air band to 5 and adjust air shutter to 10.
- 7.) Check smoke and CO₂ levels. Once attained, lock air band and shutter in place.
- 8.) Shut off burner, let unit cool down. The unit is now adjusted for 1,000,000 input BTU's.

CAMPO EQUIPMENT CO. LTD. (ECOBLAZE)

6 Carson Court, Brampton, ON, CANADA, L6T 4P8

Tel: (905) 793-2525 | Fax: (905) 793-8768 | www.campoequipment.com

THERMOSTAT OPERATION

The BLAZE 1000 D/G can be operated with a thermostat control.

An optional heatstat is available for temperature control for the space being heated. To connect the heatstat, simply plug the heatstat into an extension cord and the extension cord into the outlet marked "REMOTE STAT". Make sure selector is in the "STAT ON" position. Place the heatstat into the space that is being heated. The unit will now shut down at the heatstat fixed temperature setting.

NOTE: The heatstat is available with different fixed temperature settings.

An optional 120V adjustable setting thermostat is also available.

CHANGING BURNERS ON THE BLAZE 1000 D/G

- 1.) MAKE SURE "MAIN SWITCH" IS IN "OFF" POSITION AND DISCONNECT MAIN POWER SUPPLY.
- 2.) IF BECKETT CF800 OIL BURNER IS CURRENTLY INSTALLED AND GAS OPERATION WITH THE CG10A IS DESIRED DISCONNECT FUEL LINE AT BURNER PUMP "INLET" AND DISCONNECT FUEL LINE FROM "RETURN" PORT ON BURNER PUMP.
- 3.) DISASSEMBLE FILTER BRACKET AND FILTER ENTIRELY FROM BURNER COMPARTMENT.
- 4.) DISCONNECT WIRE HARNESS.
- 5.) REMOVE THE (4) 5/16" NUTS HOLDING THE BURNER.
- 6.) REMOVE ENTIRE BECKETT CF800.
- 7.) MOUNT CG10A TO (4) 5/16" BOLTS (WITH GAS TRAIN CONNECTED) AND FASTEN (4) 5/16" NUTS.
- 8.) FASTEN GAS TRAIN SUPPORT BRACKET TO INLET SIDE OF TRAIN.
- 9.) CONNECT WIRE HARNESS.
- 10.) SWITCH FROM "OIL" TO "GAS" ON THE MAIN CONTROL PANEL.

REVERSE THE ABOVE STEPS FOR GAS TO OIL OPERATION.

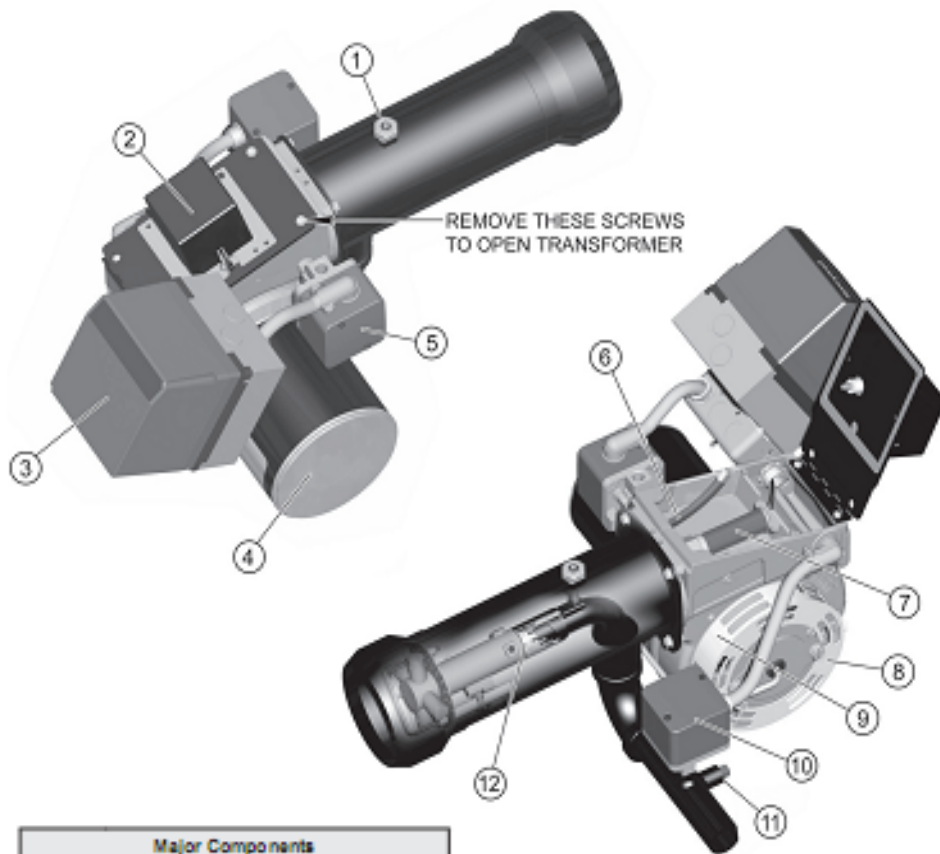
BECKETT PARTS BREAKDOWN

CAMPO EQUIPMENT CO. LTD. (ECOBLAZE)

6 Carson Court, Brampton, ON, CANADA, L6T 4P8

Tel: (905) 793-2525 | Fax: (905) 793-8768 | www.campoequipment.com

Figure 10. CG10 component familiarization

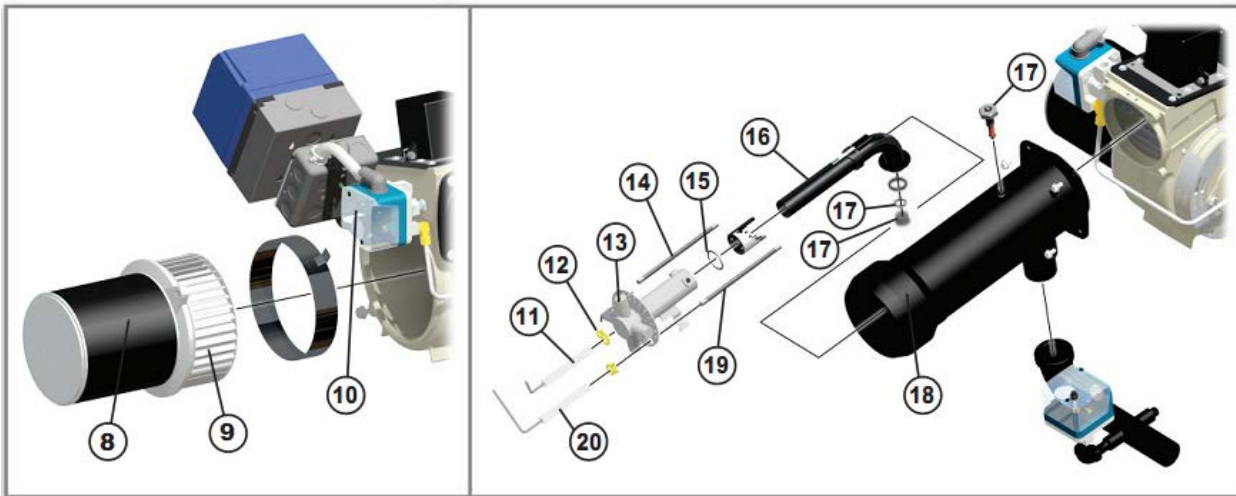
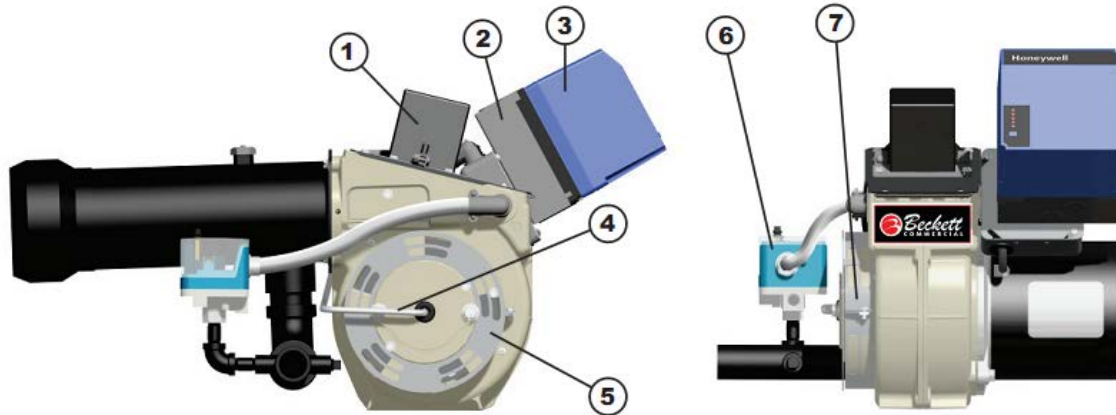


Major Components	
Item	Description
1	Jacking Screw
2	Ignition Transformer
3	Primary Control
4	Blower Motor
5	Air Flow Proving Switch
6	Electrode Cable*
7	UV Flame Detector (if used)
8	Shutter
9	Air Band
10	High Gas Pressure Switch
11	Manifold Pressure Test Connection
12	Gas Gun Assembly

*Unplug from transformer when servicing

Replacement Parts

For best performance specify genuine *Beckett* replacement parts.



Item	Description	Part #
1	Ignition Transformer	7503U
2	Control Subbase	See Note 1
3	Primary Control	See Note 1
4	Suction Line	32359U
5	Shutter	3215U
6	High Gas Pressure Switch	2190903U
7	Air Band	3819A
8	Motor - 120v - 220v	21341U 21654U
9	Blower Wheel - CG10 - CG10A or CG10B	21448U 21339U
10	Air Proving Switch	32359U
11	Electrode Set	Spec. Applic.
12	Spring Clamps (4 in pckg.)	3236501U

Item	Description	Part #
13	Head	Spec. Applic.
14	Cable, Ignition Electrode	5990130U
15	O-ring set (2 in package)	32264U
16	Gas Tube assembly	5193201U
17	Jacking Screw	5193401U
18	Air Tube	Spec. Applic.
19	Cable, Flame Rod (if used)	5990280U
20	Flame Rod (if used)	2191301U
	UV Scanner (not shown)	7247U
21	Restrictor O-Ring (LP Only)	3226409U
22	Propane Restrictor (LP Only)	See Table 3

Note 1: Refer to the UL Label for controller model number.



GÉNÉRATEUR DE CHALEUR À POLYCOMBUSTIBLE: BLAZE 1000 D/G



Rapport # 367-G-04e-5



Instructions d'installation-Manuel-Entretien-Liste des pièces

MISE EN GARDE : NE MODIFIEZ PAS LE RADIATEUR OU SES CONTRÔLES. CONSULTEZ UN TECHNICIEN DE SERVICE QUALIFIÉ

Conservez ce manuel à titre de référence RÉV 1
05/16/13

CERTIFIÉ POUR LE CANADA ET LES ÉTATS-UNIS

CAMPO EQUIPMENT CO. LTD. (ECOBLAZE)
6 Carson Court, Brampton, ON, CANADA, L6T 4P8
Tel: (905) 793-2525 | Fax: (905) 793-8768 | www.campoequipment.com

LISEZ LES INSTRUCTIONS AVANT D'UTILISER LES RADIATEURS

CET APPAREIL EST CONÇU ET APPROUVÉ POUR ÊTRE UTILISÉ COMME CHAUFFERETTE DE CONSTRUCTION CONFORME AUX NORMES ANSI Z83.7b-2009/CSA2.14b-2009, UL 733-1993 ET CSA/CAN B140.8-1967

CES APPAREILS CONVIENNENT AUX APPLICATIONS EXTÉRIEURES

IL FAUT SUIVRE LES INSTRUCTIONS ÉMANANT DES AUTORITÉS LOCALES AYANT JURIDICTION

BLAZE 1000 G

NOTE : CE RADIATEUR EST PRÉVU PRINCIPALEMENT POUR UN CHAUFFAGE PROVISOIRE DES BÂTIMENTS EN CONSTRUCTION, EN RÉNOVATION OU EN RÉPARATION

CET APPAREIL EST APPROUVÉ POUR LE PROPANE OU LE GAZ NATUREL. N'ESSAYEZ JAMAIS DE BRÛLER LES ORDURES OU DU PAPIER DANS LE RADIATEUR; ENLEVEZ TOUT LE PAPIER ET LES CHIFFONS DES ALENTOURS DU RADIATEUR. POUR PROTÉGER VOTRE SÛRETÉ, N'ENTREPOSEZ PAS ET N'UTILISEZ PAS D'ESSENCE OU D'AUTRES LIQUIDES OU DE GAZ INFLAMMABLES À PROXIMITÉ DU RADIATEUR.

NE MODIFIEZ PAS LE RADIATEUR ET LES CONTRÔLES ! LE RADIATEUR DOIT ÊTRE ENTRETENU PAR UN PERSONNEL DE SERVICE QUALIFIÉ.

AVERTISSEMENT : CEUX QUI INSTALLENT LE RADIATEUR DOIVENT AVOIR LA FORMATION ET L'EXPÉRIENCE NÉCESSAIRES POUR LE FAIRE. LISEZ CE MANUEL AVEC SOIN. SI LE RADIATEUR N'EST PAS CORRECTEMENT INSTALLÉ, IL POURRAIT CAUSER DES DÉGATS MATÉRIELS, DES BLESSURES, VOIRE DES PERTES DE VIE. LE PERSONNEL DE SERVICE QUALIFIÉ QUI EFFECTUE CE TRAVAIL A UNE GRANDE RESPONSABILITÉ POUR LA BONNE INSTALLATION ET LA MISE EN MARCHÉ CORRECTE DU RADIATEUR.

AVERTISSEMENT GÉNÉRAL DE RISQUE : SI LES PRÉCAUTIONS ET LES INSTRUCTIONS NE SONT PAS OBSERVÉES POUR CE RADIATEUR, IL Y A DES RISQUES DE PERTE DE VIE, DES BLESSURES CORPORELLES GRAVES, DES DÉGATS OU DES DOMMAGES À LA PROPRIÉTÉ EN RAISON D'INCENDIES, D'EXPLOSIONS, DE BRÛLURES, D'ASPHYXIE, D'EMPOISONNEMENT OU DE MONOXYDE DE CARBONE OU DE CHOCS ÉLECTRIQUES. SEULES LES PERSONNES QUI PEUVENT COMPRENDRE ET SUIVRE LES INSTRUCTIONS DEVRAIENT UTILISER OU ENTREtenir CE RADIATEUR. SI VOUS AVEZ BESOIN D'AIDE OU D'INFORMATION SUR LE RADIATEUR, COMME UN MANUEL D'INSTRUCTIONS, ÉTIQUETTES, ETC., COMMUNIQUEZ AVEC LE FABRICANT.

AVERTISSEMENT : DANGER D'INCENDIE, DE BRÛLURE, D'INHALATION ET D'EXPLOSION. CONSERVEZ LES PRODUITS COMBUSTIBLES SOLIDES, COMME LES MATÉRIAUX DE CONSTRUCTION, LE PAPIER OU LE CARTON À UNE DISTANCE SÛRE, LOIN DU RADIATEUR TEL QUE RECOMMANDÉ DANS LES INSTRUCTIONS. N'UTILISEZ JAMAIS LE RADIATEUR DANS LES ESPACES QUI CONTIENNENT OU QUI PEUVENT CONTENIR LES COMBUSTIBLES VOLATILS OU AÉROPORTÉS OU DES PRODUITS COMME L'ESSENCE, LES SOLVANTS, LE DILUANT À PEINTURE, LES PARTICULES DE POUSSIÈRE OU LES PRODUITS CHIMIQUES INCONNUS.

AVERTISSEMENT : NON CONÇU POUR LA MAISON OU LES VÉHICULES RÉCRÉATIFS

CAMPO EQUIPMENT CO. LTD. (ECOBLAZE)

6 Carson Court, Brampton, ON, CANADA, L6T 4P8

Tel: (905) 793-2525 | Fax: (905) 793-8768 | www.campoequipment.com

AVERTISSEMENT : CE RADIATEUR EST CONÇU PRINCIPALEMENT POUR LE CHAUFFAGE PROVISoire DES BÂTIMENTS EN CONSTRUCTION, EN RÉNOVATION, EN RÉPARATION OU POUR DES URGENCES SEULEMENT.

AVERTISSEMENT : PRÉVOYEZ TOUJOURS UNE VENTILATION ADÉQUATE. VENTILATION ACCEPTABLE MINIMUM REQUISE : 1 PO CA D'AIR FRAIS DOIT ÊTRE FOURNI POUR CHAQUE 1000 BTU/H DE CHALEUR.

AVERTISSEMENT : CE RADIATEUR DOIT ÊTRE INSTALLÉ DE MANIÈRE À NE PAS ÊTRE EXPOSÉ DIRECTEMENT À UN JET D'EAU OU UNE EAU QUI DÉGOUTTE.

VÉRIFIEZ AVEC L'AUTORITÉ LOCALE DE SÉCURITÉ-INCENDIE SI VOUS AVEZ DES QUESTIONS AU SUJET DES APPLICATIONS

CES INSTRUCTIONS ONT ÉTÉ PRÉPARÉES AVEC SOIN, MAIS ELLES NE PEUVENT PAS COUVRIR CHAQUE INSTALLATION ET ÉVENTUALITÉ PARTICULIÈRE. PAR CONSÉQUENT, S'IL Y A DES DOUTES QUANT À L'INTERPRÉTATION DES EXIGENCES, COMMUNIQUEZ AVEC L'AUTORITÉ LOCALE DE VOTRE JURIDICTION, VOTRE DISTRIBUTEUR LOCAL OU L'USINE.

RÈGLEMENTS TOUCHANT L'INSTALLATION :

- 1.) L'INSTALLATION DEVRAIT ÊTRE CONFORME À TOUS LES RÈGLEMENTS LOCAUX ET NATIONAUX.

CÂBLAGE : TOUT LE CÂBLAGE INTERNE DU RADIATEUR EST FAIT PAR LE FABRICANT. TOUT LE CÂBLAGE EXTERNE DOIT ÊTRE CONFORME AUX CODES D'ÉLECTRICITÉ ACTUELS ÉTABLIS PAR LES AUTORITÉS AYANT JURIDICTION.

L'INSTALLATION DE CE RADIATEUR UTILISÉ AVEC LE GAZ NATUREL DOIT ÊTRE CONFORME AUX CODES LOCAUX; S'IL N'Y A PAS DE CODE, L'INSTALLATION DOIT ÊTRE CONFORME À LA NORME NATIONALE DU CODE DE GAZ UTILISÉ COMME CARBURANT Z223.1/NFPA 54 ET AU CODE D'INSTALLATION POUR LE GAZ NATUREL ET LE PROPANE, CSA B149.1-00. CE RADIATEUR DOIT ÊTRE INSTALLÉ PAR UN TECHNICIEN QUALIFIÉ EN GAZ ET EN OBSERVANT LES CODES LOCAUX PUBLIÉS PAR L'AUTORITÉ AYANT JURIDICTION. TOUTES LES INSTALLATIONS EFFECTUÉES DANS LE MASSACHUSETTS DOIVENT ÊTRE FAITES PAR UN PLOMBIER OU UN MONTEUR D'INSTALLATION AU GAZ DU MASSACHUSETTS.

L'INSTALLATION DE CE RADIATEUR RACCORDÉ À UNE RÉSERVOIR OU À UNE BOUTEILLE DE PROPANE DOIT ÊTRE CONFORME AUX CODES LOCAUX; AUTREMENT, L'INSTALLATION DOIT ÊTRE CONFORME À LA NORME CONCERNANT L'ENTREPOSAGE ET LA MANUTENTION DES GAZ DE PÉTROLE LIQUÉFIÉS, NORME ANSI/NFPA 58 ET AU CODE D'INSTALLATION DU GAZ NATUREL ET DU PROPANE, CSA B149.1

CE RADIATEUR DOIT SE TROUVER À AU MOINS 10 PI (3 M) DE TOUTE BOUTEILLE DE PROPANE. CE RADIATEUR NE DOIT PAS ÊTRE ORIENTÉ VERS UN CONTENANT DE PROPANE SITUÉ À MOINS DE 20 PI (6 M).

D'AUTRES NORMES RÉGISSENT L'UTILISATION DES GAZ COMBUSTIBLES ET LES APPAREILS THERMIQUES UTILISÉS DANS DES APPLICATIONS PARTICULIÈRES. VOTRE AUTORITÉ LOCALE PEUT VOUS CONSEILLER SUR CES DERNIÈRES.

LIRE LES INSTRUCTIONS AVANT DE METTRE L'APPAREIL DE CHAUFFAGE EN MARCHÉ

BLAZE 1000 D

CET APPAREIL EST APPROUVÉ POUR L'UTILISATION DE MAZOUT NUMÉRO 1 ET NUMÉRO 2. NE JAMAIS UTILISER DE L'ESSENCE OU DE L'HUILE À MOTEUR QUI PEUT CONTENIR DE L'ESSENCE

CAMPO EQUIPMENT CO. LTD. (ECOBLAZE)

6 Carson Court, Brampton, ON, CANADA, L6T 4P8

Tel: (905) 793-2525 | Fax: (905) 793-8768 | www.campoequipment.com

COMME COMBUSTIBLE. NE JAMAIS TENTER DE BRÛLER DES DÉCHETS OU DU PAPIER DANS CET APPAREIL ET RETIRER TOUT LE PAPIER ET LES CHIFFONS QUI SE TROUVENT AUTOUR. POUR VOTRE SÉCURITÉ, NE PAS RANGER OU UTILISER D'ESSENCE OU D'AUTRES LIQUIDES INFLAMMABLES PRÈS DE L'APPAREIL.

POUR VOTRE SÉCURITÉ, NE TENTEZ PAS DE DÉMARRER L'APPAREIL :

- 1.) SI UN EXCÉDENT DE MAZOUT S'EST ACCUMULÉ
- 2.) SI L'APPAREIL EST REMPLI DE VAPEUR
- 3.) SI LA CHAMBRE DE COMBUSTION EST TRÈS CHAUDE

NE PAS MANIPULER L'APPAREIL OU SES COMMANDES. IL DOIT ÊTRE ENTRETENU PAR DU PERSONNEL D'ENTRETIEN QUALIFIÉ.

AVERTISSEMENT : LES PERSONNES QUI INSTALLENT CET APPAREIL DE CHAUFFAGE DOIVENT AVOIR LA FORMATION ET L'EXPÉRIENCE NÉCESSAIRES. IL FAUT PAR CONSÉQUENT LIRE ATTENTIVEMENT LE PRÉSENT MANUEL. LE DÉFAUT D'INSTALLER ET DÉ RÉGLER CORRECTEMENT L'APPAREIL PEUT ENGENDRER DES DOMMAGES À LA PROPRIÉTÉ, DES BLESSURES AUX PERSONNES OU LA PERTE DE VIE. LE PERSONNEL QUALIFIÉ QUI EFFECTUE CES TÂCHES ASSUME DE SÉRIEUSES RESPONSABILITÉS POUR EXÉCUTER CORRECTEMENT L'INSTALLATION, LE RÉGLAGE ET LE DÉMARRAGE DE L'APPAREIL.

LES PRÉSENTES INSTRUCTIONS ONT ÉTÉ RÉDIGÉES DE FAÇON EXHAUSTIVE, MAIS ELLES NE PEUVENT PAS TENIR COMPTE DE CHAQUE INSTALLATION SPÉCIALE OU DE CHAQUE IMPONDÉRABLE. PAR CONSÉQUENT, S'IL Y A UN DOUTE QUANT À L'INTERPRÉTATION DE L'UNE OU L'AUTRE DES EXIGENCES, COMMUNIQUER AVEC LE RESPONSABLE LOCAL AYANT AUTORITÉ, LE DISTRIBUTEUR LOCAL OU L'USINE.

IMPORTANT : SI VOUS VOUS RENDEZ COMPTE QUE LA COMMANDE PRINCIPALE EST VERROUILLÉE FERMÉE, APPUYEZ SUR LE BOUTON DE RÉINITIALISATION ROUGE UNE FOIS SEULEMENT. SI LE BRÛLEUR NE DÉMARRE PAS DE NOUVEAU, NE PAS APPUYER SUR LE BOUTON UNE DEUXIÈME FOIS OU UN EXCÉDENT DE COMBUSTIBLE S'ACCUMULERA DANS LA CHAMBRE DE COMBUSTION. APPELEZ UN TECHNICIEN QUALIFIÉ.

NOTICE D'INSTALLATION :

- 1 L'INSTALLATION DOIT SE FAIRE CONFORMÉMENT À TOUS LES RÈGLEMENTS LOCAUX ET NATIONAUX.
- 2.) AU CANADA, CONSULTEZ LE CODE D'INSTALLATION CSA B139 POUR L'ÉQUIPEMENT DE CHAUFFAGE AU MAZOUT.

CÂBLAGE : TOUT LE CÂBLAGE INTERNE DE L'APPAREIL DE CHAUFFAGE EST INSTALLÉ PAR LE FABRICANT, TOUT LE CÂBLAGE EXTERNE DOIT ÊTRE CONFORME AU CODE DE D'ÉLECTRICITÉ EXISTANT, ÉDICTÉ PAR LES AUTORITÉS COMPÉTENTES. AU CANADA, CONSULTEZ LA NORME CSA C22.1 ET LE CODE CANADIEN DE L'ÉLECTRICITÉ. AUX ÉTATS-UNIS, CONSULTEZ LE CODE BOCA OU LE NFPA 70 NATIONAL ELECTRICAL CODE.

AVERTISSEMENT : L'INSUFFISANCE D'AIR DE COMBUSTION PEUT ENGENDRER LE BRÛLAGE SALE, DES ODEURS DANS LES ESPACES FERMÉS ET UN REFOULEMENT D'AIR, QUI POURRAIT CAUSER LA NAUSÉE OU L'ASPHYXIE CHEZ LES OCCUPANTS.

CAMPO EQUIPMENT CO. LTD. (ECOBLAZE)

6 Carson Court, Brampton, ON, CANADA, L6T 4P8

Tel: (905) 793-2525 | Fax: (905) 793-8768 | www.campoequipment.com

BLAZE 1000 D/G FICHE FICHE TECHNIQUE	BLAZE 1000G-BECKETT (NG/LP)	BLAZE 1000D-BECKETT (OIL)
Marque et modèle de brûleur	Beckett CG10A	Beckett CF800
Tension	208V/240V	208V/240V
Entrée (BTU/h)	1,000,000	1,000,000
Air chauffé pi. cu./mi. pour les vitesses du ventilateur :	3- 13,500/42A/25A	3- 13,500/42A/25A
1-pi. cu./min/1PH A/3PH A	2- 11,000/31A/16.5A	2- 11,000/31A/16.5A
2-pi. cu./min/1PH A/3PH A	1- 9,000/21.5A/11A	1- 9,000/21.5A/11A
3-pi. cu./min/1PH A/3PH A		
HP DU MOTEUR	10	10
Longueur des canalisations	400pi/Inlet Max of 200pi	400pi/Inlet Max of 200pi
Pression statique	6,5 po	6,5 po
Grandeur des sorties des canalisations (Temp. max. : 300 °F)	24" or (4) X 12"	24" or (4) X 12"
Grandeur de l'entrée des canalisations	24"	24"
Conversion au gaz	Passage facile sur Bleu poignée Ball Valve sur le collecteur de gaz. Position fermée: Propane Position ouverte: gaz naturel	N/A
Pression au collecteur « C.E. »	NG 3.8 / 5 LP (pression d'être mis devant vanne d'inversion NG / LP et après ajustement valve sur le collecteur) NOTE: Si la lecture de la pression prise après vanne d'inversion NG / LP	N/A

CAMPO EQUIPMENT CO. LTD. (ECOBLAZE)

6 Carson Court, Brampton, ON, CANADA, L6T 4P8

Tel: (905) 793-2525 | Fax: (905) 793-8768 | www.campoequipment.com

	alors la pression est à 2,2 "	
Pression d'alimentation minimum/maximum « C.E. »	8/12	N/A
Buse	N/A	5.5 GPH X 60 B
Pression à la pompe	N/A	160 PSI
GPH	N/A	7.6 GPH
Fuel	NG or LP	No. 1 or No. 2 / Kerosene or Furnace Oil
Réglage de la tête	10.6	5
Réglage de l'air (Beckett-Shutter/Band)	10/5	10/3
AGENCE D'APPROBATION	OMNI	OMNI
POIDS SEC (lb)	2000	2000
Dimensions	111" X 33.25" X 50"	111" X 33.25" X 50"
GROSSEUR DE LA CHEMINÉE	8 po	8 po

RACCORDEMENT DE LA BOUTEILLE

SI DES BOUTEILLES SONT UTILISÉES POUR ALIMENTER LE RADIATEUR, AUCUNE BOUTEILLE DE MOINS DE 100 LB DE CAPACITÉ NE DOIT ÊTRE UTILISÉE. CES BOUTEILLES DOIVENT PERMETTRE UN SOUTIRAGE DE GAZ SEULEMENT.

- 1.) TOUS LES RACCORDS À LA BOUTEILLE DOIVENT ÊTRE FAITS EN UTILISANT UNE CLÉ POUR SERRER LE RACCORD DE PRODUITS PÉTROLIERS.
- 2.) ASSUREZ-VOUS QUE LE ROBINET DE LA BOUTEILLE EST FERMÉ LORS DU RACCORDEMENT OU DU DÉBRANCHEMENT DE LA BOUTEILLE.
- 3.) MÉTHODE APPROPRIÉE DE VÉRIFICATION DES FUITES DE GAZ : UNE SOLUTION D'EAU ET DE SAVON DOIT ÊTRE APPLIQUÉE À TOUS LES RACCORDS POUR VOIR SI LE RACCORD FUIT.
- 4.) IL FAUT FAIRE UNE INSPECTION VISUELLE DES TUYAUX AVANT CHAQUE UTILISATION DU RADIATEUR.

L'ALIMENTATION EN GAZ DOIT ÊTRE COUPÉE AU NIVEAU DE LA BOUTEILLE DE PROPANE QUAND LE RADIATEUR N'EST PAS UTILISÉ. QUAND LE RADIATEUR DOIT ÊTRE ENTREPOSÉ À L'INTÉRIEUR, LE RACCORD ENTRE LA BOUTEILLE D'ALIMENTATION EN PROPANE ET LE RADIATEUR DOIT ÊTRE DÉBRANCHÉ ET LES BOUTEILLES RETIRÉES DU RADIATEUR ET ENTREPOSÉES SELON LES NORMES TOUCHANT L'ENTREPOSAGE ET LA MANUTENTION DES GAZ DE PÉTROLE LIQUÉFIÉS, NORMES ANSI/NFPA 58 ET CSA B149.1, CODE D'INSTALLATION DU GAZ NATUREL ET DU PROPANE.

TUYAUTERIE : CE RADIATEUR DOIT ÊTRE INSTALLÉ PAR UN TECHNICIEN QUALIFIÉ EN GAZ EN OBSERVANT LES CODES LOCAUX PUBLIÉS PAR L'AUTORITÉ AYANT JURIDICTION. LA GROSSEUR DE LA TUYAUTERIE D'ALIMENTATION DOIT ÊTRE DÉTERMINÉ EN UTILISANT LA LONGUEUR DU TUYAU ET LE NOMBRE DE BTUH DE L'APPAREIL. IL FAUT UTILISER LES TABLEAUX APPROPRIÉS POUR LES TUYAUX POUR DÉTERMINER LA GROSSEUR DU TUYAU D'ALIMENTATION SUIVANT LA LONGUEUR DU TUYAU RELIANT L'APPAREIL À LA BOUTEILLE.

RACCORDEMENT À UN RÉSERVOIR DE CARBURANT EXTERNE (BLAZE 1000 D)

Le Beckett CF800 est branché à l'aide de raccords mâles SAE de 3/8 po et il fait appel à un système à deux canalisations pour ne pas devoir amorcer le système. Assurez-vous que le réservoir de carburant a une canalisation d'alimentation, une canalisation de retour et un raccordement à une canalisation d'alimentation de 3/8 po SAE installée du côté entrée du filtre de carburant et la canalisation de retour au raccord de retour situé sur la pompe du brûleur Beckett. Pour les systèmes à une canalisation, retirez la prise de dérivation située sur le point d'entrée de la pompe Beckett et raccordez la canalisation de carburant au côté alimentation du filtre de carburant.

CARBURANT (BLAZE 1000 G)

CETTE chauffe-eau fonctionnera au gaz propane ou de gaz naturel, pas les deux. LES PRESSIONS collecteur sont indiquées sur l'étiquette d'homologation. DE DETERMINER LA CARBURANT POUR UTILISER voir la plaque signalétique. NE PAS ESSAYER D'UTILISER LE CHAUFFE sans consulter la plaque signalétique.

NOTE: la bonne position sur le commutateur facile sur manche bleu ROBINET doit être utilisé et PLAQUE D doit refléter la CARBURANT l'appareil s'allume. NE PAS faire fonctionner le chauffage sans consulter la plaque signalétique.

CONVERSION DE CHAUFFAGE DOIT ÊTRE FAITE PAR UN PERSONNEL QUALIFIÉ ET plaque signalétique doit refléter tout changement.

CETTE AÉROTHERME est équipé pour le gaz naturel ou gaz de pétrole liquéfié. CET APPAREIL EST EQUIPEE DE L'UNITÉ d'orifices dimensionnés pour un fonctionnement au gaz naturel ou propane via l'interrupteur facile sur manche bleu ROBINET. Pour la conversion en LP (ou naturelle) GAZ PLAQUE voir l'instruction sur l'appareil.

CAMPO EQUIPMENT CO. LTD. (ECOBLAZE)

6 Carson Court, Brampton, ON, CANADA, L6T 4P8

Tel: (905) 793-2525 | Fax: (905) 793-8768 | www.campoequipment.com

Passage facile sur Bleu poignée Ball Valve sur le collecteur de gaz.

Position fermée: Propane

Position ouverte: Gaz naturel

TUYAUX

TOUS LES TUYAUX UTILISÉS POUR RACCORDER CE RADIATEUR À L'ALIMENTATION EN COMBUSTIBLE DOIVENT ÊTRE DES ENSEMBLES DE TUYAUX APPROUVÉS DE TYPE 1 POUR LE PROPANE/GAZ NATUREL

RACCORDEMENT ÉLECTRIQUE

AVERTISSEMENT : INSTRUCTIONS POUR LA MISE À LA TERRE

CET APPAREIL PEUT RECEVOIR UNE ALIMENTATION ÉLECTRIQUE MONOPHASÉE OU TRIPHASÉE.

UNE ALIMENTATION ÉLECTRIQUE DE 208V-240V DOIT ÊTRE DISPONIBLE.

INSTALLATION

Alimentation électrique

Pour une alimentation monophasée, utilisez L1 (ROUGE) et L2 (NOIR) et un conducteur vert pour la mise à la terre.

Pour une alimentation triphasée, utilisez L1 (ROUGE), L2 (NOIR) et L3 (BLANC) et un conducteur vert pour la mise à la terre.

BLAZE 1000 D/G

Cordons d'alimentation électrique pour une alimentation monophasée

Jusqu'à 100 pi 3 # 6

Jusqu'à 200 pi 3 # 4

Jusqu'à 300 pi 3 # 3

BLAZE 1000 D/G

Cordons d'alimentation électrique pour une alimentation triphasée

Jusqu'à 100 pi 4 # 8

Jusqu'à 200 pi 4 # 6

Jusqu'à 300 pi 4 # 4

NOTE : SI UNE PARTIE DU CÂBLAGE ÉLECTRIQUE FOURNI AVEC L'APPAREIL DOIT ÊTRE REMPLACÉ, IL DOIT ÊTRE REMPLACÉ PAR UN CÂBLAGE DE TYPE TEW DE JAUGE 14 OU SON ÉQUIVALENT.

SYSTÈME ÉLECTRIQUE	BLAZE 1000 D/G
Volts-Hertz-Phase	220-60-1 ou 3
Pleine charge (A) (1 PH ou 3 PH)	42 ou 25

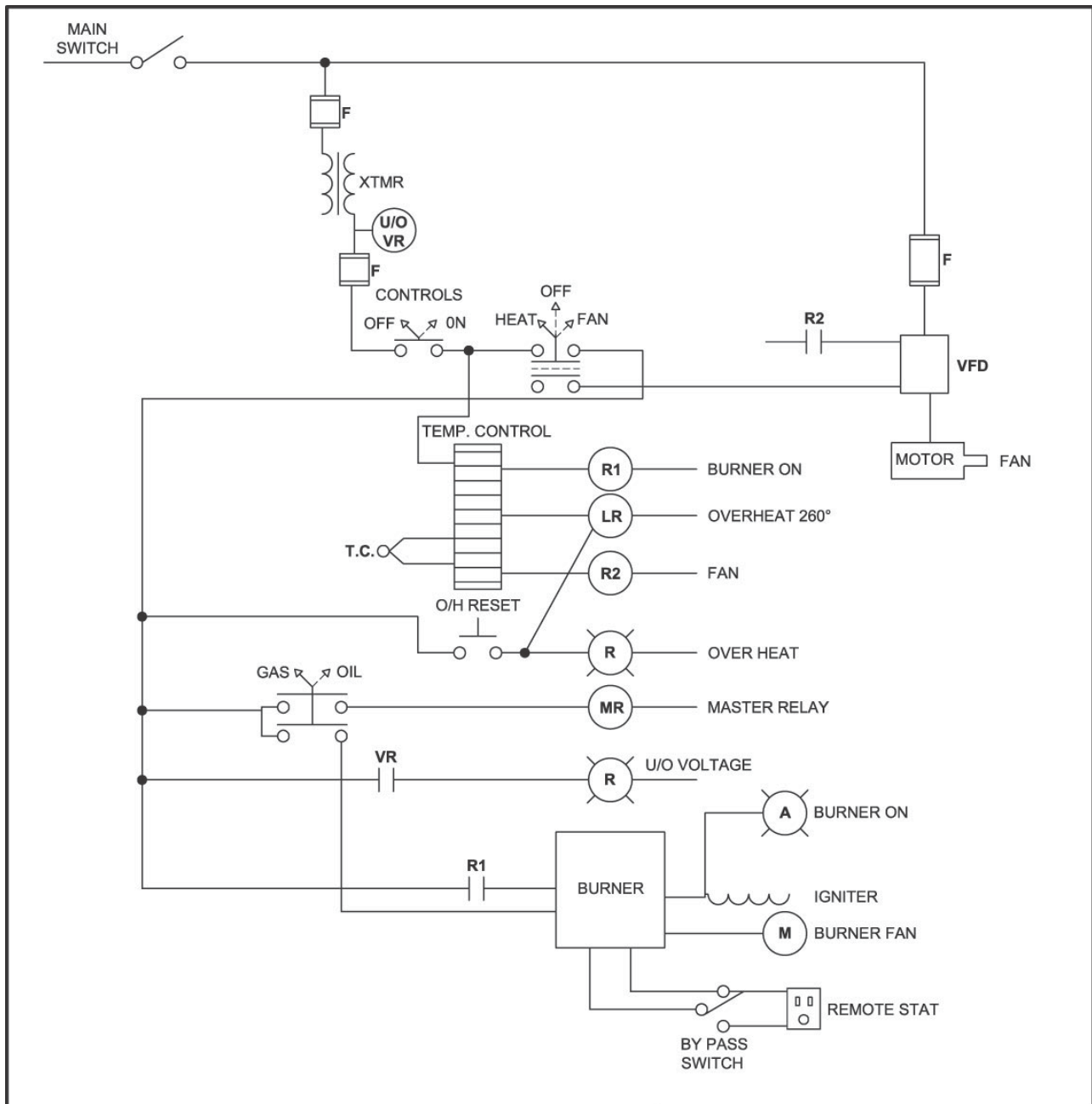
CAMPO EQUIPMENT CO. LTD. (ECOBLAZE)

6 Carson Court, Brampton, ON, CANADA, L6T 4P8

Tel: (905) 793-2525 | Fax: (905) 793-8768 | www.campoequipment.com

Calibre max. du fusible (A) (1 PH ou 3 PH) avec temporisation	45 ou 30
--	----------

La mise à la terre électrique de l'appareil doit être conforme au Code national de l'électricité, la norme ANSI/NFPA 70 ou la norme CSA C22.1, le Code national de l'électricité, partie I.



NOTE:
 1, THESE DRAWINGS CONTAIN INFORMATION THAT IS PROPRIETARY AND CONFIDENTIAL AND MY NOT BE USED OR DISSEMINATED EXCEPT AS MAY BE AUTHORIZED BY CAMPO EQUIPMENT.

CAMPO EQUIPMENT

Drawing BLAZE 800/1000 D/G SINGLE LINE DIAGRAM
 Title:

Drawn By: N. HAROON	dd/mm/yy 20/10/10	Dwg #:	
Checked By:	Scale: NTS	Sht. 1 Of 1	Rev: 0

SÉQUENCE D'UTILISATION DE L'APPAREIL BLAZE 1000 D/G

Placez l'interrupteur principal (« Main Switch ») en position « ON » et la commande « Controls » en position « ON » et le sélecteur en position « HEAT » (chauffage) et le sélecteur en position « STAT ON » et le mécanisme de chauffage branché dans la prise de courant :

1 : Le thermostat de chauffage perçoit une baisse de la température et le module de contrôle de l'allumage est mis sous tension.

2 : Le module fait une vérification de sécurité du démarrage; le brûleur et le générateur d'étincelles se mettent en marche. Le brûleur s'allume; l'allumage s'arrête et le courant de la flamme est perçu.

Pour le mazout : Les contacts du contrôle primaire Genisys se ferment; le moteur du brûleur et l'allumoir sont mis sous tension après 45 secondes. Le contrôle primaire met sous tension la vanne du solénoïde de la pompe et une flamme est produite. La cellule cad détecte la présence d'une flamme et le brûleur reste allumé.

3 : Le thermocouple du régulateur de température se réchauffe jusqu'au point réglé à l'usine (95 °F) et le ventilateur de circulation de l'air se met en marche.

4 : Quand le thermostat de chauffage qui perçoit la température de l'espace à chauffer est parvenu au point demandé, le brûleur s'arrête.

5 : Le ventilateur continue de fonctionner jusqu'à ce que l'air contenu dans l'appareil soit parvenu au point établi à l'usine (80 °F) avant de s'arrêter.

Lorsque le sélecteur est en position « BYPASS » (dérivation) :

1 : Le module fait une vérification de sécurité du démarrage et le brûleur et le générateur d'étincelles se mettent en marche.

2 : Le brûleur s'allume; l'allumage s'arrête et le courant de la flamme est décelé.

3 : Le thermocouple du contrôleur de la température se réchauffe jusqu'au niveau établi à l'usine (95 °F) et le ventilateur de circulation de l'air se met en marche.

4 : Lorsque le sélecteur de chauffage/ventilateur est tourné en position « OFF », le brûleur s'éteint.

5 : Le ventilateur de circulation de l'air continue de fonctionner jusqu'à ce que l'air contenu dans l'appareil soit parvenu au réglage établi à l'usine (80 °F) avant de s'arrêter.

CAMPO EQUIPMENT CO. LTD. (ECOBLAZE)

6 Carson Court, Brampton, ON, CANADA, L6T 4P8

Tel: (905) 793-2525 | Fax: (905) 793-8768 | www.campoequipment.com



INSTRUCTIONS D'UTILISATION DE L'APPAREIL BLAZE 1000 D/G

DÉMARRAGE DE L'APPAREIL

- 1.) ASSUREZ-VOUS QUE L'APPAREIL EST PLACÉ SUR UNE SURFACE PLATE ET DE NIVEAU AVANT DE LE METTRE EN MARCHÉ; LE COUVERT ET LES PROTECTEURS DU VENTILATEUR DOIVENT TOUJOURS ÊTRE FERMÉS.
- 2.) ASSUREZ-VOUS QUE L'INTERRUPTEUR PRINCIPAL (« MAIN SWITCH ») EST EN POSITION « OFF ».
- 3.) INSTALLEZ LE CÂBLAGE D'ALIMENTATION ÉLECTRIQUE SUR UNE PRISE D'ALIMENTATION DE 208V-240 V AVEC MISE À LA TERRE.
Installation de l'alimentation électrique
Utilisation monophasée : utilisez L1 (ROUGE), L2 (NOIR) et le conducteur vert pour la mise à la terre.
Utilisation triphasée : utilisez L1 (ROUGE), L2 (NOIR), L3 (BLANC) et le conducteur vert pour la mise à la terre.
- 4.) CHOISISSEZ « GAS » (GAZ) OU « OIL » (MAZOUT).
- 5.) TOURNEZ L'INTERRUPTEUR PRINCIPAL (« MAIN SWITCH ») EN POSITION « ON ».
- 6.) TOURNEZ L'INTERRUPTEUR « CONTROLS » (CONTRÔLES) EN POSITION « ON ».
- 7.) POUR L'UTILISATION DU THERMOSTAT, PLACEZ LE SÉLECTEUR EN POSITION « STAT ON ». SI VOUS N'UTILISEZ PAS DE THERMOSTAT, PLACEZ LE SÉLECTEUR EN POSITION DE DÉRIVATION (« BYPASS »).
- 8.) PLACEZ L'INTERRUPTEUR « HEAT/FAN » (CHAUFFAGE/VENTILATEUR) EN POSITION « HEAT » (CHAUFFAGE).

Note : Lorsque vous utilisez une génératrice comme alimentation électrique, assurez-vous que la génératrice est bien mise à la terre et qu'elle utilise une fréquence de 60 Hz. Si une génératrice est utilisée et si elle manque de carburant, assurez-vous que l'interrupteur principal (« MAIN SWITCH») de l'appareil est en position « OFF » avant de remettre la génératrice en marche; autrement, l'appareil pourrait être endommagé.

ARRÊT DE L'APPAREIL

- 4.) Fermez le robinet principal d'alimentation en gaz pendant que l'appareil est en marche; si l'appareil est utilisé avec du mazout, passez au # 2.)
- 5.) Placez le sélecteur « HEAT/FAN » (CHAUFFAGE/VENTILATEUR) en position « OFF ». Le ventilateur d'alimentation continue de fonctionner jusqu'à ce que l'échangeur de chaleur se soit suffisamment refroidi. Ne débranchez pas l'alimentation électrique principale avant que le ventilateur d'alimentation ne se soit arrêté et que l'interrupteur principal (« MAIN SWITCH ») soit en position « OFF ».
- 6.) Débranchez l'appareil de l'alimentation en gaz OU débranchez la canalisation de mazout.

AVERTISSEMENT : AVANT DE RETIRER LES PROTECTEURS OU LES ARTICLES DE SÉCURITÉ, PLACEZ L'INTERRUPTEUR PRINCIPAL EN POSITION « OFF » ET DÉBRANCHEZ L'ALIMENTATION PRINCIPALE PUISQUE LE VENTILATEUR D'ALIMENTATION FERA SON CYCLE AUTOMATIQUEMENT.

SI LA CHAUFFERETTE NE SE MET PAS EN MARCHÉ

- 4.) APPUYEZ SUR LE BOUTON DE REMISE À ZÉRO DU BRÛLEUR POUR RÉTABLIR LE CONTRÔLE DE L'APPAREIL BECKETT CG10A. POUR UN FONCTIONNEMENT AU MAZOUT, APPUYEZ SUR LE BOUTON ROUGE DU CONTRÔLEUR BECKETT GENISYS SITUÉ SUR LE TABLEAU DE CONTRÔLE ET TENEZ-LE ENFONCÉ PENDANT 3 SECONDES POUR FAIRE LA REMISE À ZÉRO.
- 5.) S'IL S'AGIT D'UN APPAREIL AU GAZ, VÉRIFIEZ LA PRESSION DE L'ALIMENTATION EN GAZ. LA PRESSION DE L'ALIMENTATION ET AU COLLECTEUR DOIT CONCORDEUR AVEC LES VALEURS APPARAISSANT SUR LA PLAQUE SIGNALÉTIQUE. S'IL S'AGIT D'UN APPAREIL AU MAZOUT, VÉRIFIEZ LE NIVEAU DE CARBURANT, LE FILTRE, LA BUSE ET LA CANALISATION D'ASPIRATION.
- 6.) ASSUREZ-VOUS QUE L'ALIMENTATION ÉLECTRIQUE EST APPROPRIÉE ET QU'UN CÂBLAGE ÉGALEMENT APPROPRIÉ EST UTILISÉ.
- 7.) SI L'APPAREIL NE S'ALLUME PAS APRÈS 3 TENTATIVES, CONSULTEZ VOTRE FOURNISSEUR POUR QUE LES TRAVAUX DE SERVICE SOIENT FAITS.

NOTE : SI L'APPAREIL A ÉTÉ REMIS À ZÉRO UN CERTAIN NOMBRE DE FOIS SANS QUE L'ALLUMAGE NE SE FASSE -- N'ESSAYEZ PAS DE REMETTRE L'APPAREIL EN MARCHÉ : COMMUNIQUEZ AVEC UN TECHNICIEN DE SERVICE QUALIFIÉ.

NOTE : FONCTIONNEMENT AU MAZOUT – SI L'APPAREIL A ÉTÉ REMIS À ZÉRO UN CERTAIN NOMBRE DE FOIS SANS S'ALLUMER, DU MAZOUT SE SERA ACCUMULÉ DANS LA CHAMBRE DE COMBUSTION ! N'ESSAYEZ PAS DE DÉMARRER L'APPAREIL : COMMUNIQUEZ AVEC UN TECHNICIEN DE SERVICE QUALIFIÉ.

MISE EN GARDE

- 17.) **N'ARRÊTEZ PAS L'APPAREIL EN DÉBRANCHANT LE CORDON D'ALIMENTATION ÉLECTRIQUE. L'ÉCHANGEUR DE CHALEUR DOIT ÊTRE REFROIDI SUFFISAMMENT AVANT QUE L'ALIMENTATION NE SOIT COUPÉE.**
- 18.) **CONSERVEZ TOUJOURS UNE RÉSERVE SUFFISANTE DE CARBURANT.**
- 19.) **SI UN BRÛLEUR AU GAZ EST INSTALLÉ, L'APPAREIL NE PEUT ÊTRE UTILISÉ QU'AVEC DU PROPANE OU DU GAZ NATUREL. CONSULTEZ L'ÉTIQUETTE D'APPROBATION.**
- 20.) **NE BRANCHEZ RIEN D'AUTRE QUE LE THERMOSTAT DANS LA PRISE « REMOTE STAT ».**
- 21.) **EN MATIÈRE D'ÉLECTRICITÉ, OBSERVEZ LES EXIGENCES AFFICHÉES SUR LA PLAQUE SIGNALÉTIQUE OU CELLES DE LA RUBRIQUE DE CE MANUEL CONCERNANT LES EXIGENCES ÉLECTRIQUES.**
- 22.) **SI VOUS UTILISEZ DU MAZOUT, NE METTEZ PAS L'APPAREIL EN MARCHÉ SI UNE QUANTITÉ EXCESSIVE DE MAZOUT S'EST ACCUMULÉE DANS LA CHAMBRE DE COMBUSTION.**
- 23.) **SI VOUS UTILISEZ DU MAZOUT, NE REMPLISSEZ PAS LE RÉSERVOIR LORSQUE L'APPAREIL EST EN MARCHÉ.**
- 24.) **LE CÂBLAGE D'ALIMENTATION ÉLECTRIQUE NE DOIT JAMAIS ÊTRE PLUS PETIT QUE CE QUI EST INDIQUÉ SUR LA PLAQUE SIGNALÉTIQUE ET DANS LES INSTRUCTIONS CONTENUES DANS CE**

CAMPO EQUIPMENT CO. LTD. (ECOBLAZE)

6 Carson Court, Brampton, ON, CANADA, L6T 4P8

Tel: (905) 793-2525 | Fax: (905) 793-8768 | www.campoequipment.com

MANUEL.

- 25.) SI VOUS UTILISEZ DU MAZOUT, N'UTILISEZ PAS D'ESSENCE, D'HUILE DE CARTER DE MOTEUR OU UN MAZOUT PLUS LOURD QUE L'HUILE À FOURNAISE NO. 2.
- 26.) NE METTEZ PAS L'APPAREIL EN MARCHÉ LORSQUE LA CHAMBRE DE COMBUSTION EST CHAUDE.
- 27.) NE REMPLISSEZ PAS LE RÉSERVOIR QUAND L'APPAREIL EST EN MARCHÉ.
- 28.) N'ENDOMMAGEZ PAS L'APPAREIL. DEMANDEZ À UN TECHNICIEN DE SERVICE COMPÉTENT DE FAIRE LES AJUSTEMENTS REQUIS.
- 29.) LA TEMPÉRATURE MAXIMALE À LA SORTIE EST DE (É.-U./CA) 250 °F/290 °F
- 30.) SI L'APPAREIL EST UTILISÉ À UNE ALTITUDE DE PLUS DE 2000 PI (610 m), LES VALEURS NOMINALES DE L'APPAREIL SONT RÉDUITES DE 4 POUR CENT POUR CHAQUE 1000 PI (305 m) D'ALTITUDE AU-DESSUS DU NIVEAU DE LA MER.
- 31.) EN CAS DE SURCHAUFFE, LE CAS ÉCHÉANT, OU SI LE SYSTÈME DE CONTRÔLE DE L'ALIMENTATION EN GAZ N'ARRÊTE PAS LE DÉBIT DE GAZ, FERMEZ LE ROBINET MANUEL DE GAZ ALIMENTANT L'APPAREIL AVANT DE COUPER L'ALIMENTATION ÉLECTRIQUE.
- 32.) N'UTILISEZ PAS CET APPAREIL SI DES COMPOSANTS ONT ÉTÉ SUBMERGÉS DANS L'EAU. COMMUNIQUEZ IMMÉDIATEMENT AVEC UN TECHNICIEN DE SERVICE QUALIFIÉ POUR QU'IL INSPECTE L'APPAREIL ET QU'IL REMPLACE LE CONTRÔLE DU GAZ QUI A ÉTÉ SUBMERGÉ SOUS L'EAU.

VALEURS ÉLECTRIQUES REQUISES : 45 A

INSTRUCTIONS D'INSTALLATION

- 1.) Les recommandations des autorités locales ayant juridiction doivent être suivies. Pour avoir les pratiques d'installation recommandées, consultez la norme CSA B139. (CANADA)
- 2.) En allumant le radiateur dans un espace fermé, prévoyez 1 pouce carré/1000 BTU (consultez la norme CSA B139) pour permettre l'entrée d'air pour utiliser le radiateur.
- 3.) Pour l'alimentation électrique: Pour une alimentation monophasée, utilisez L1 (ROUGE) et L2 (NOIR) et un conducteur vert pour la mise à la terre. Pour une alimentation triphasée, utilisez L1 (ROUGE), L2 (NOIR) et L3 (BLANC) et un conducteur vert pour la mise à la terre.
- 4.) N'utilisez pas le radiateur dans les secteurs mal ventilés sans cheminée ou près de surfaces ou de matériaux combustibles.

NOTE : Espaces libres autour du radiateur :

DESSUS	2 pouces
CÔTÉS	6 pouces
EXTRÉMITÉ DE BRÛLEUR	2 pieds
DÉCHARGE	10 pieds
CONNECTEUR DE L'ÉVENT	18 pouces
PLANCHER	Combustible

CAMPO EQUIPMENT CO. LTD. (ECOBLAZE)

6 Carson Court, Brampton, ON, CANADA, L6T 4P8

Tel: (905) 793-2525 | Fax: (905) 793-8768 | www.campoequipment.com

RACCORDEMENTS DE LA CHEMINÉE

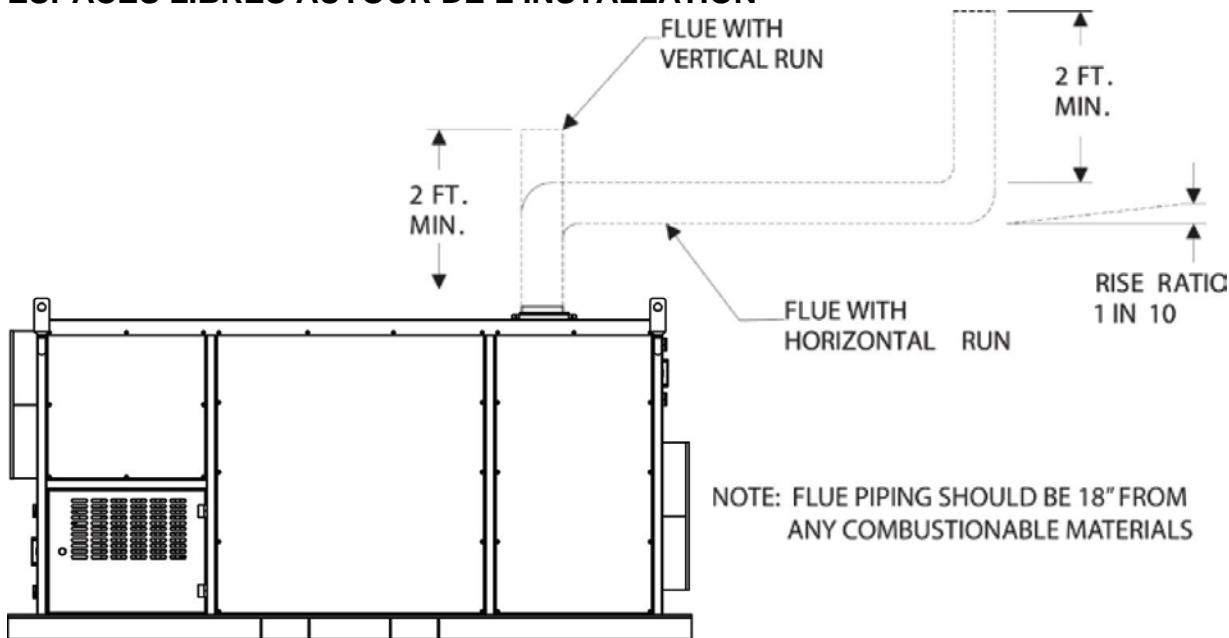
Quand le radiateur est branché à une cheminée, cette dernière doit se terminer à la verticale sur au moins deux pieds de long. Les longueurs horizontales devraient s'élever graduellement d'une unité pour chaque longueur de 10 unités à partir du radiateur. Si des courants d'air descendants risquent de se produire, il faut utiliser un chapeau de cheminée. Toute la ventilation devrait observer les dispositions de la norme CSA B139 ou les codes locaux.

ATTENTION : LA TEMPÉRATURE DE LA CHEMINÉE DE RADIATEUR PEUT ATTEINDRE 400 À 500 °F; PAR CONSÉQUENT, CELA PEUT ÊTRE DANGEREUX POUR LES HUMAINS ET MÊME DÉPASSER LA TEMPÉRATURE D'AUTO-ALLUMAGE DE BIEN DES MATÉRIAUX. IL FAUT DONC ÊTRE PRUDENT CONCERNANT L'EMPLACEMENT DU RADIATEUR ET L'UTILISATION DE PROTECTEURS ISOLÉS EST VIVEMENT RECOMMANDÉE.

Les canalisations horizontales de mise à l'air libre doivent toujours se terminer par une longueur verticale d'au moins 24 po.

NOTE : POUR AVOIR UNE COMBUSTION OPTIMALE, IL EST RECOMMANDÉ DE TOUJOURS UTILISER UN ÉVENT EN C DE CHEMINÉE DE 30 PO AVEC UN CAPUCHON DE PROTECTION CONTRE LA PLUIE EN TOUT TEMPS.

ESPACES LIBRES AUTOUR DE L'INSTALLATION



LONGUEURS MAXIMALES PERMISES DES CANALISATIONS BLAZE 1000 D/G - 400ft/Inlet
Max of 200ft

CANALISATION D'ADMISSION 24" on each inlet

CANALISATION DE DÉCHARGE 24" on outlet with optional (4) X 12" outlet

CAMPO EQUIPMENT CO. LTD. (ECOBLAZE)

6 Carson Court, Brampton, ON, CANADA, L6T 4P8

Tel: (905) 793-2525 | Fax: (905) 793-8768 | www.campoequipment.com

CE RADIATEUR PEUT ÊTRE UTILISÉ AVEC OU SANS CANALISATIONS; LORSQU'IL EST BRANCHÉ SUR DES CANALISATIONS, ÉVITEZ LES REPLIS OU LES COUDES COURTS. SI L'ADMISSION D'AIR OU SI LA DÉCHARGE NE SONT PAS SUFFISANTS, LE RADIATEUR SURCHAUFFERA.

INSTRUCTIONS D'ENTRETIEN DU BLAZE 1000 D/G

AVERTISSEMENT : CHAQUE RADIATEUR DE CONSTRUCTION DEVRAIT ÊTRE INSPECTÉ AVANT CHAQUE UTILISATION ET AU MOINS CHAQUE ANNÉE PAR UNE PERSONNE DE SERVICE QUALIFIÉE. UN ENTRETIEN INCORRECT PEUT DONNER UN MAUVAIS FONCTIONNEMENT DU RADIATEUR ET DES DOMMAGES GRAVES POURRAIENT SE PRODUIRE.

TUYAUX

Les tuyaux doivent être visuellement inspectés avant chaque utilisation du radiateur. S'il y a une abrasion ou une usure excessive ou si le tuyau est coupé, il doit être remplacé avant d'utiliser le radiateur. Les tuyaux de rechange doivent être ceux indiqués par le fabricant.

RÉGULATEUR DE TEMPÉRATURE ET THERMOCOUPLE

Les protocoles du régulateur de température devraient être vérifiés avant chaque saison de chauffage pour s'assurer que le brûleur s'éteindra si la température dépasse 250 °F (É.-U.)/290 °F (CA) à la canalisation de sortie. Cela peut être fait en restreignant le débit d'air qui passe dans l'appareil. Lorsque les vérifications sont terminées, retirez les restrictions parce que les canalisations d'entrée et de sortie doivent être ouvertes pour que l'appareil fonctionne correctement.

Le niveau de température de 95 °F du régulateur a été choisi pour permettre un préchauffage de l'échangeur de chaleur et s'assurer que seul l'air réchauffé entre dans l'espace à chauffer. Lorsque les besoins en chaleur sont comblés, le régulateur de température continue de faire fonctionner le ventilateur jusqu'à ce que l'échangeur de chaleur se soit refroidi suffisamment. Cette fonction aide à prolonger la durée de vie de l'échangeur de chaleur. Le régulateur de température doit être remplacé si le moteur du ventilateur ne s'arrête pas lorsque l'échangeur de chaleur s'est refroidi.

Protocoles du régulateur de température

Le ventilateur se met en marche à 95 °F

La sortie # 2 est réglée à 190 °F (ce réglage éteint le brûleur lorsque la température parvient à 190 °F et il le remet en marche lorsque la température parvient à 160 °F.) Si le brûleur se remet à zéro, le voyant s'allume; il faut alors aller dans le compartiment où se trouve le brûleur dans la porte qui se trouve sous l'alimentation en air. L'appareil Riello G900 a un orifice qui a été pratiqué près du dessus de la boîte du tableau rouge; vous devez appuyer sur le bouton qui se trouve à l'intérieur pour remettre le brûleur à zéro. Pour l'appareil Beckett CG10A, le régulateur Honeywell doit être remis à zéro en appuyant sur le bouton de remise à zéro. Pour le brûleur au mazout Beckett CF800, il faut appuyer sur le régulateur Beckett Genisys situé sur le tableau de contrôle.

La sortie # 3 est réglée à 260 °F (ce réglage fera éteindre le brûleur si la température est trop élevée.) Si cela se produit, vous devrez remettre le régulateur de température à zéro et tenir le bouton « OVER HEAT RESET » (REMISE À ZÉRO EN CAS DE SURCHAUFFE) enfoncé.

Pendant la période de refroidissement, la température de l'appareil revient à 80 °F avant de s'arrêter.

CAMPO EQUIPMENT CO. LTD. (ECOBLAZE)

6 Carson Court, Brampton, ON, CANADA, L6T 4P8

Tel: (905) 793-2525 | Fax: (905) 793-8768 | www.campoequipment.com

ÉLECTRICITÉ

Assurez-vous que tous les connecteurs des conduits (BX) sont bien serrés. Ouvrez la porte du tableau de contrôle et le compartiment du brûleur; assurez-vous que les raccordements sont bien serrés et qu'aucun câblage effiloché n'est exposé.

VENTILATEUR

Voyez si de la poussière ou de la saleté s'est accumulée sur les pales du ventilateur. Faites fonctionner le brûleur pour voir si le ventilateur vibre. Remplacez les pales du ventilateur si vous constatez des vibrations. Le débit d'air de combustion et de ventilation ne doit pas être obstrué. Vérifiez le ventilateur et assurez-vous que le moteur et les pales sont en bon état de fonctionnement.

MOTEUR

Aucune lubrification n'est nécessaire puisque les roulements sont scellés. Nettoyez le moteur de toute poussière ou saleté.

CIRCUIT DE GAZ (annuel)

Branchez l'alimentation en gaz sur le circuit de gaz alors que les vannes d'arrêt de sécurité du gaz sont fermées. Pulvérisez sur tous les composants du circuit de gaz, y compris les vannes d'arrêt de sécurité, une solution d'eau et de savon pour vérifier l'étanchéité du circuit. Ouvrez les vannes d'arrêt de sécurité du circuit de gaz et pulvérisez la solution d'eau et de savon pour vérifier l'étanchéité du circuit.

ÉCHANGEUR DE CHALEUR

Si de la fumée se produit même après avoir ajusté la bande d'air, l'échangeur de chaleur devrait être nettoyé à fond.

FILTRE DU COMBUSTIBLE (MAZOUT)

Remplacez la cartouche à tous les six mois d'utilisation normale.

NOTE: FLOW OF COMBUSTION AND VENTILATION AIR CANNOT BE OBSTRUCTED

DÉTECTEUR DE FLAMME

Lorsqu'on entretient l'appareil, il faut l'allumer et le faire fonctionner. Après qu'il a fonctionné quelques minutes, appuyer sur le bouton rouge de la commande principale, le maintenir enfoncé pendant une seconde puis relâcher. Si le voyant clignote une ou deux ou même trois fois, c'est que la cellule au CdS fonctionne correctement. S'il clignote quatre fois, vérifier que l'alignement est bon et que la flamme est correcte. Si le tout est correct, il est recommandé de nettoyer la surface de la cellule au CdS à l'aide d'un chiffon doux. Si le voyant clignote quatre fois, suivre les étapes cidessus.

S'il clignote toujours quatre fois, remplacer la cellule au CdS.

LE VOYANT CLIGNOTE RÉSISTANCE DE LA CELLULE AU CdS

1	0-400 Ohms
2	400-800 Ohms
3	800-1600 Ohms
4	>=1600 Ohms

BRÛLEUR

L'espacement des électrodes doit être vérifié et réglé, au besoin, après que l'on a remplacé le gicleur. Le gicleur doit être remplacé chaque année ou plus tôt s'il est impossible de régler le brûleur pour qu'il fonctionne correctement. La dimension et le type de gicleur nécessaire sont inscrits sur la plaque signalétique. Voir CF800 du manuel Beckett Burner.

APRÈS L'INSPECTION, UN ESSAI COMPLET DE COMBUSTION DOIT ÊTRE FAIT APRÈS CHAQUE PÉRIODE DE SERVICE ANNUEL DU RADIATEUR POUR MAINTENIR UN RENDEMENT MAXIMUM ET LA FIABILITÉ DU RADIATEUR.

CAMPO EQUIPMENT CO. LTD. (ECOBLAZE)

6 Carson Court, Brampton, ON, CANADA, L6T 4P8

Tel: (905) 793-2525 | Fax: (905) 793-8768 | www.campoequipment.com

AVERTISSEMENT : COUPEZ L'ALIMENTATION EN COMBUSTIBLE ET L'ALIMENTATION ÉLECTRIQUE AVANT DE FAIRE DES TRAVAUX DE SERVICE. LE CIRCUIT DE 208V/240V VOLTS PRÉSENTE UN DANGER D'ÉLECTROCUTION.

L'ÉCHANGEUR DE CHALEUR PEUT MAINTENANT ÊTRE NETTOYÉ ENTIÈREMENT À PARTIR DES OUVERTURES D'ACCÈS ET DES RACCORDS DU TUYAU DE LA CHEMINÉE.

NETTOYAGE DE L'ÉCHANGEUR DE CHALEUR

- 6.) RETIREZ LES PANNEAUX DU COFFRET DE LA CHAUFFERETTE
- 7.) RETIREZ LES PANNEAUX D'ACCÈS FACILE QUI SE TROUVENT SUR L'ÉCHANGEUR DE CHALEUR
- 8.) RETIREZ LES DÉFLECTEURS DES COMPOSANTS SECONDAIRES ET NETTOYEZ-LES
- 9.) INSÉREZ UNE BROSSE FLEXIBLE PAR LES PANNEAUX D'ACCÈS ET FAITES UN NETTOYAGE À FOND
- 10.) INSÉREZ UN ASPIRATEUR FLEXIBLE PAR LES PANNEAUX D'ACCÈS ET FAITES UNE ASPIRATION À FOND

ASSEMBLAGE DE L'ÉCHANGEUR DE CHALEUR APRÈS LE NETTOYAGE

- 3.) FERMEZ LES PANNEAUX D'ACCÈS FACILE DE L'ÉCHANGEUR DE CHALEUR
- 4.) FERMEZ LES PANNEAUX DU COFFRET DE LA CHAUFFERETTE

COMBUSTION AIR ADJUSTMENTS

BLAZE 1000 D/G FICHE TECHNIQUE	BLAZE 1000G-BECKETT (NG/LP)	BLAZE 1000D-BECKETT (OIL)
Conversion au gaz	Passage facile sur Bleu poignée Ball Valve sur le collecteur de gaz. Position fermée: Propane Position ouverte: gaz naturel	N/A
Pression au collecteur « C.E. »	NG 3.8 / 5 LP (pression d'être mis devant vanne d'inversion NG / LP et après ajustement valve sur le collecteur) NOTE: Si la lecture de la pression prise après vanne d'inversion NG / LP alors la pression est à 2,2 "	N/A

CAMPO EQUIPMENT CO. LTD. (ECOBLAZE)

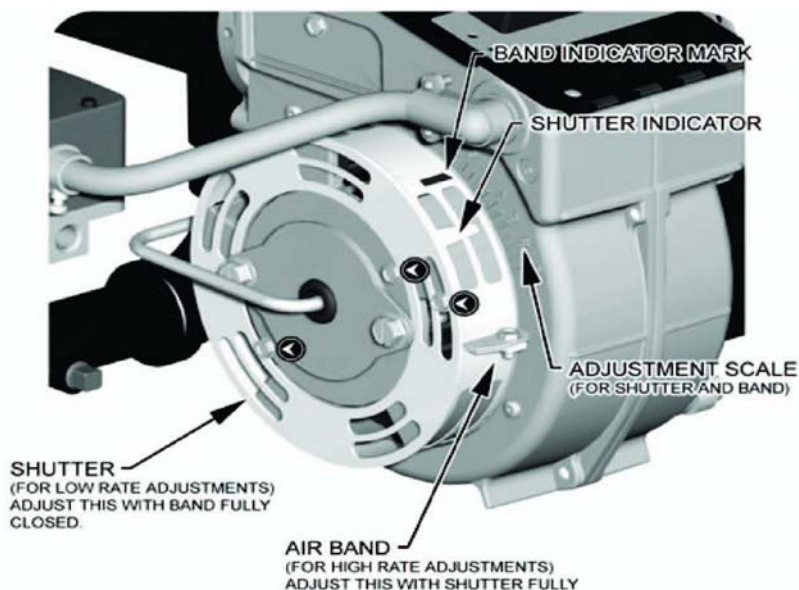
6 Carson Court, Brampton, ON, CANADA, L6T 4P8
Tel: (905) 793-2525 | Fax: (905) 793-8768 | www.campoequipment.com

Pression d'alimentation minimum/maximum « C.E. »	8/12	N/A
Buse	N/A	5.5 GPH X 60 B
Pression à la pompe	N/A	160 PSI
Réglage de la tête	10.6	5
Réglage de l'air (Beckett-Shutter/Band)	10/5	10/3

NOTA : Les réglages ci-dessus sont des approximations fondées sur un équipement propre et en bon ordre de fonctionnement. Les réglages d'air de combustion varient selon l'endroit, l'altitude et le type de combustible utilisé.

BECKETT CG10A

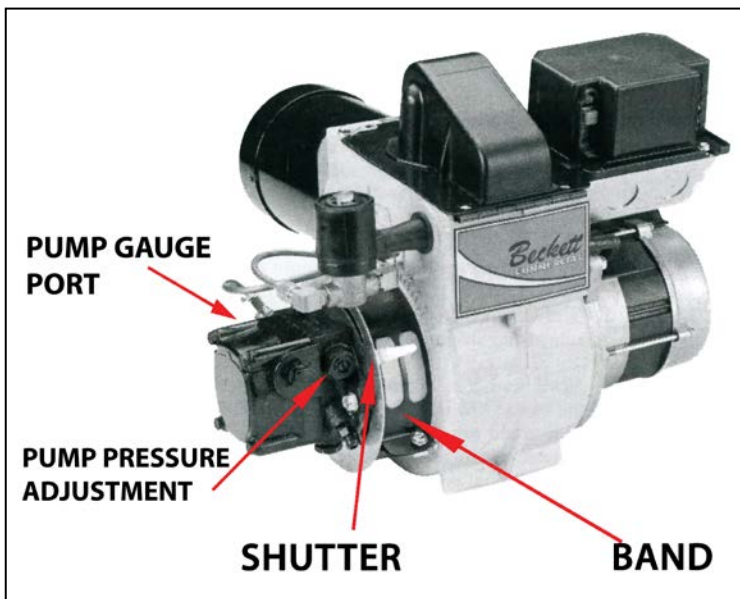
- 1.) Desserrez le volet et la bande et placez-les au réglage désiré.
- 2.) Lorsque vous êtes parvenu au réglage désiré, verrouillez-les en place en serrant les vis du volet et de la bande.



AVERTISSEMENT : UN MANQUE D'AIR DE COMBUSTION PEUT CAUSER UN FEU, DES ODEURS DANS LES ESPACES FERMÉS ET DES REFOULEMENTS SUSCEPTIBLES DE CAUSER DES NAUSÉES OU UNE ASPHYXIE DES OCCUPANTS.

TOUS LES AJUSTEMENTS D'AIR DOIVENT ÊTRE FAITS PAR UN TECHNICIEN DE SERVICE QUALIFIÉ

BECKETT CF800



RÉGLAGES DE L'AIR DE COMBUSTION

Afin de régler correctement l'air de combustion, utiliser un analyseur étalonné et un testeur de fumée pour assurer une combustion complète. Le débit d'entrée l'air doit être réglé à la valeur correcte afin d'obtenir 5 % d'oxygène et 12 % de CO₂. Pour obtenir une efficacité de combustion optimale, la commande d'air de combustion doit être réglée afin de produire au plus une fumée N^o 1 (échelle de Bacharach). Le brûleur Beckett est doté d'une bande d'air étalonnée qui aide à régler le débit d'air primaire afin d'obtenir un bon mélange huile/air. Régler l'alimentation de la bande d'air en desserrant les vis de blocage et en déplaçant le volet d'air et, au besoin, la bande d'air en vrac. Pour commencer, réduire le débit d'air jusqu'à ce que l'appareil commence à produire de la fumée. Ensuite, augmenter le débit d'air jusqu'à ce qu'il n'y ait plus de fumée. Vérifier s'il y a échauffement excessif dans

l'échangeur de chaleur. Un débit d'air insuffisant entraîne la projection de flamme et réduit la durée de vie de l'échangeur. Augmenter le débit d'air jusqu'à ce que de l'accumulation de chaleur ait été éliminée. Vérifier si l'allumage est bon. Lorsque le tout fonctionne correctement, resserrer les vis et les mécanismes de blocage.

Les réglages doivent être effectués pendant que l'appareil fonctionne et après cinq minutes de brûlage. La rotation des bandes d'air sur le boîtier du brûleur permet de faire les réglages.

RÉGLAGE DES DÉBITS

- 1.) Choisissez le nombre de BTU requis et le carburant utilisé. Par exemple 1,000,000 BTU et le gaz naturel.
- 2.) Ajustez la pression d'admission suivant les recommandations (3,8).
- 3.) Voyez la pression recommandée pour l'air sur la plaque signalétique. Une pression de 10/5 est recommandée.
- 4.) Mesurez le niveau de monoxyde de carbone et réglez l'alimentation en air, au besoin, pour avoir environ 50 PPM.
- 5.) Mesurez la quantité d'O₂ ou de CO₂ à 50 PPM. Par exemple, si le niveau d'O₂ est 1,5 % (CO₂ de 11 %).
- 6.) Ouvrez le réglage d'air jusqu'à ce que le niveau d'O₂ soit à 3 %. Ceci devrait réduire le niveau de CO et fournir une marge d'air de réserve pour s'adapter à diverses conditions variables.
- 7.) Prélevez le niveau de CO de nouveau. Il devrait être de 0 à 20 PPM—0 d'après les réglages.

CAMPO EQUIPMENT CO. LTD. (ECOBLAZE)

6 Carson Court, Brampton, ON, CANADA, L6T 4P8

Tel: (905) 793-2525 | Fax: (905) 793-8768 | www.campoequipment.com

- 8.) Vérifiez l'aspiration pour vous assurer qu'elle respecte les caractéristiques. Si un changement important du tirage est nécessaire, répétez les étapes ci-dessus.
- 9.) Faites les derniers ajustements et verrouillez-les bien. Faites faire plusieurs cycles au brûleur pour vérifier le bon allumage et le bon fonctionnement du brûleur.

RÉGLAGE DES TAUX DE BRÛLAGE

- 1.) Choisir le réglage requis en BTU. Par exemple, 1,000,000 BTU pour combustible No 2.
- 2.) Vérifier la plaque signalétique pour la pression recommandée de la pompe. 160 psi est recommandé.
- 3.) Vérifier la plaque signalétique pour la pression d'air. Un réglage de pression d'air de 10/3 est recommandé.
- 4.) Installer un manomètre dans l'orifice de la pompe prévu à cet effet. Démarrer le brûleur et le faire fonctionner pendant cinq minutes jusqu'à ce que le ventilateur démarre.
- 5.) Régler la pression de la pompe à 160 PSI.
- 6.) Régler la bande d'air à No 5 et régler le volet d'air à No 10. Immobiliser la bande d'air et le volet.
- 7.) Vérifier le niveau de fumée et de CO₂.
- 8.) Éteindre le brûleur, laisser l'appareil se refroidir et retirer le manomètre. L'appareil est maintenant réglé à 1,000,000 BTU's.

THERMOSTAT OPERATION

FONCTIONNEMENT DU THERMOSTAT

L'appareil BLAZE 1000 D/G peut fonctionner à l'aide d'une commande thermostatique. Un thermostat facultatif est disponible pour la commande thermostatique pour l'espace que l'on doit chauffer. Pour brancher un thermostat, il suffit de le brancher à une rallonge et celle-ci à la prise indiquée «HEATSTAT ». Vérifier que le sélecteur se trouve à la position heatstat. Poser le thermostat dans le local qui doit être chauffé. L'appareil s'arrête maintenant à la température réglée sur le thermostat.

Un thermostat à réglage optionnel de 120 V est également disponible.

CHANGEMENT DES BRÛLEURS SUR L'APPAREIL BLAZE 1000 D/G

- 1.) ASSUREZ-VOUS QUE L'INTERRUPTEUR PRINCIPAL (« MAIN SWITCH ») EST EN POSITION « OFF » ET COUPEZ L'ALIMENTATION ÉLECTRIQUE PRINCIPALE.
- 2.) SI VOTRE APPAREIL UTILISE UN BRÛLEUR AU MAZOUT BECKETT CF800 ET QUE VOUS VOULEZ UTILISER UNE ALIMENTATION AU GAZ CG10A, DÉBRANCHEZ LA CANALISATION DE CARBURANT À « L'ENTRÉE » DE LA POMPE DU BRÛLEUR ET DÉBRANCHEZ LA CANALISATION DE CARBURANT AU POINT DE « RETOUR » DE LA POMPE DU BRÛLEUR.
- 3.) DÉMONTÉZ LE SUPPORT DU FILTRE ET LE FILTRE COMPLÈTEMENT DU LOGEMENT DU BRÛLEUR.
- 4.) DÉBRANCHEZ LE FAISCEAU DE CÂBLAGE.
- 5.) RETIREZ LES (4) ÉCROUS DE 5/16 PO RETENANT LE BRÛLEUR.
- 6.) RETIREZ TOUT LE BECKETT CF800.
- 7.) INSTALLEZ LE CG10A SUR LES (4) BOULONS DE 5/16 PO (ALORS QUE LE CIRCUIT DE GAZ EST BRANCHÉ) ET SERREZ LES (4) ÉCROUS DE 5/16 PO.
- 8.) INSTALLEZ LE SUPPORT DU CIRCUIT DE GAZ DU CÔTÉ ENTRÉE DU CIRCUIT.
- 9.) BRANCHEZ LE FAISCEAU DE CÂBLAGE.

CAMPO EQUIPMENT CO. LTD. (ECOBLAZE)

6 Carson Court, Brampton, ON, CANADA, L6T 4P8

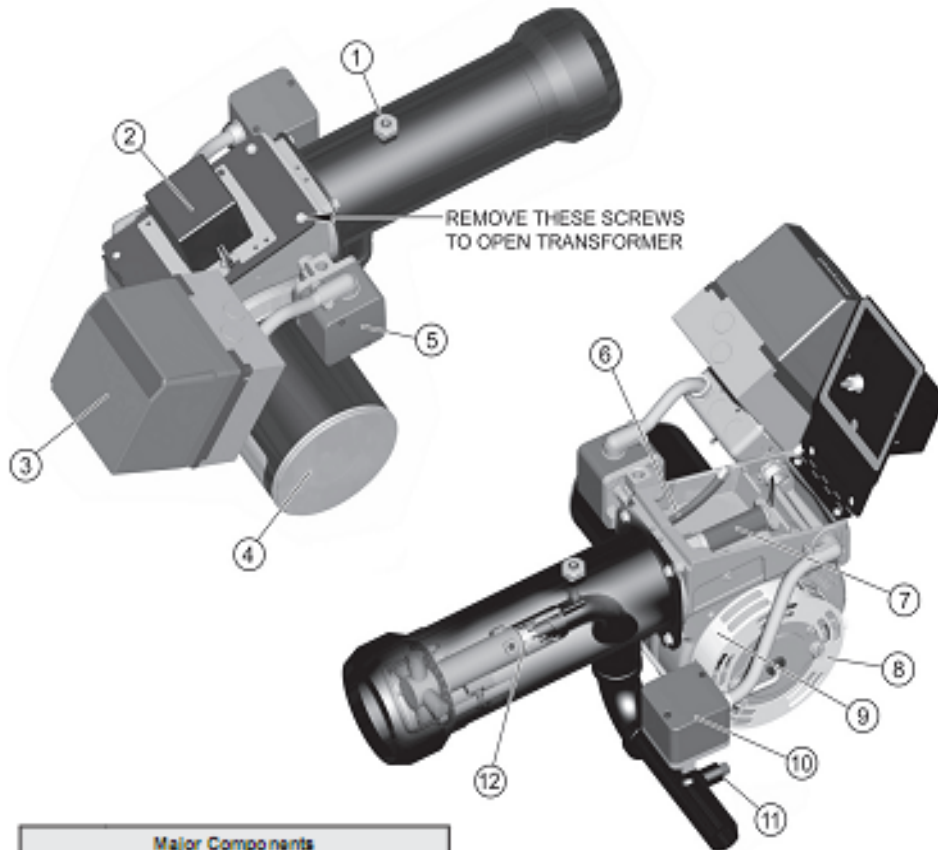
Tel: (905) 793-2525 | Fax: (905) 793-8768 | www.campoequipment.com

10.) TOURNER LE COMMUTATEUR DE « OIL » (MAZOUT) À « GAS » (GAZ) SUR LE TABLEAU PRINCIPAL DE CONTRÔLE.

INVERSEZ LES ÉTAPES CI-DESSUS SI VOUS DÉSIREZ PASSER D'UNE ALIMENTATION EN GAZ À UNE ALIMENTATION AU MAZOUT.

BECKETT PARTS BREAKDOWN

Figure 10. CG10 component familiarization

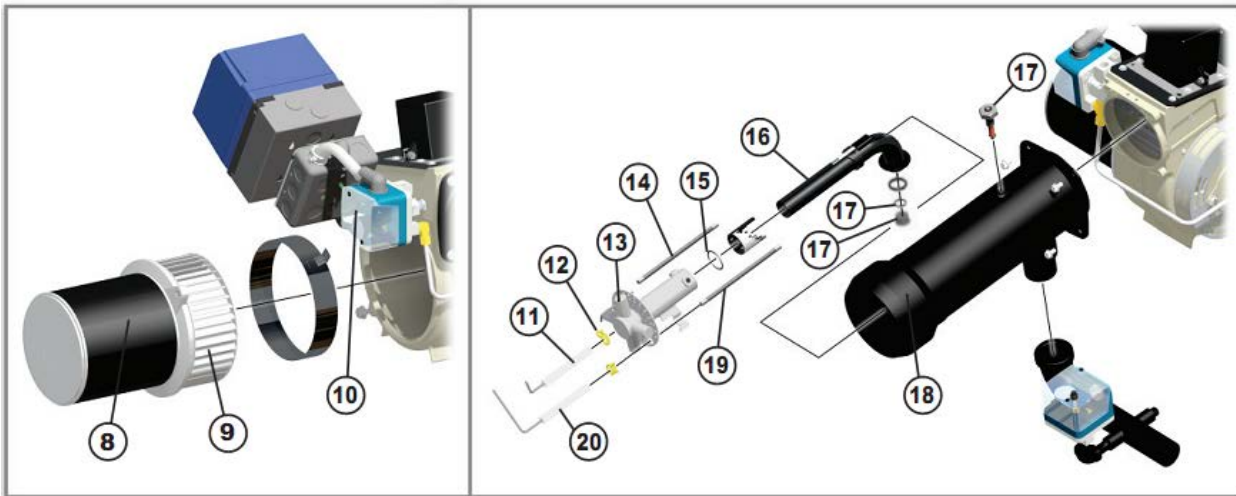
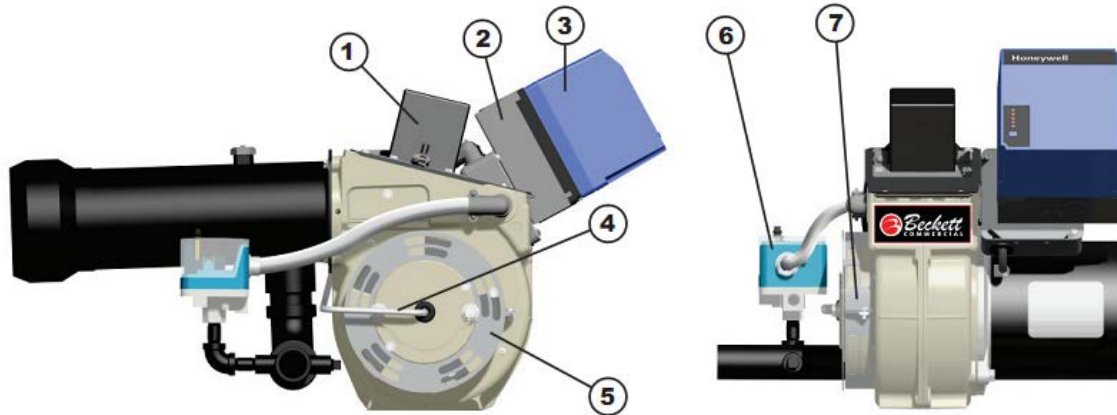


Major Components	
Item	Description
1	Jacking Screw
2	Ignition Transformer
3	Primary Control
4	Blower Motor
5	Air Flow Proving Switch
6	Electrode Cable*
7	UV Flame Detector (if used)
8	Shutter
9	Air Band
10	High Gas Pressure Switch
11	Manifold Pressure Test Connection
12	Gas Gun Assembly

*Unplug from transformer when servicing

Replacement Parts

For best performance specify genuine *Beckett* replacement parts.



Item	Description	Part #
1	Ignition Transformer	7503U
2	Control Subbase	See Note 1
3	Primary Control	See Note 1
4	Suction Line	32359U
5	Shutter	3215U
6	High Gas Pressure Switch	2190903U
7	Air Band	3819A
8	Motor - 120v - 220v	21341U 21654U
9	Blower Wheel - CG10 - CG10A or CG10B	21448U 21339U
10	Air Proving Switch	32359U
11	Electrode Set	Spec. Applic.
12	Spring Clamps (4 in pckg.)	3236501U

Item	Description	Part #
13	Head	Spec. Applic.
14	Cable, Ignition Electrode	5990130U
15	O-ring set (2 in package)	32264U
16	Gas Tube assembly	5193201U
17	Jacking Screw	5193401U
18	Air Tube	Spec. Applic.
19	Cable, Flame Rod (if used)	5990280U
20	Flame Rod (if used)	2191301U
	UV Scanner (not shown)	7247U
21	Restrictor O-Ring (LP Only)	3226409U
22	Propane Restrictor (LP Only)	See Table 3

Note 1: Refer to the UL Label for controller model number.